

**CONDITIONS OF RELEASE**

(Applicable to copies supplied with War Office  
approval to Commonwealth and Foreign Governments)

1. This document contains classified UK information.
2. This information is disclosed only for official use by the recipient Government and (if so agreed by HM Government) such of its contractors, under seal of secrecy, as may be engaged on a defence project. Disclosure or release to any other Government, national of another country, any unauthorized person, the Press, or in any other way would be a breach of the conditions under which the document is issued.
3. This information will be safeguarded under rules designed to give the same standard of security as those maintained by HM Government in the UK.

TRUCK, RADIO, MEDIUM, SR D11/R230, 1-TON, 4x4, AUSTIN K9

TECHNICAL HANDBOOK - INSTALLATION INSTRUCTION

SUMMARY

1. This instruction details the installation of the Station, radio, D11/R230 in Trucks, Signals Mk 2, unfitted, 1-ton, 4x4, Austin K9. The installation entails a number of drilling operations and modifications to the truck before the installation kits can be installed.

Action required by

2. (a) Units affected:-

When instructions have been received through staff channels, demand stores listed in CES P/42668/4 and Tables 3 and 6-8 of this instruction. On receipt of stores request REME to carry out the installation, ensuring that the stores accompany the vehicle to workshops.

(b) Units authorized to carry out field and base repairs:-

Carry out the installation as detailed below. The kits contain a large number of station list spares. These items will be safeguarded while the installation is being carried out and will be returned to unit with the vehicle. The fitting of equipments and stowage of station list items can, by arrangement with REME, be carried out by unit. In this case REME will require the stores listed in Table 3 only.

INSTALLATION DETAIL

General

3. Fig 1 to 17 illustrate the position of the equipment and installation detail in the vehicle.

4. The work is carried out in three stages as follows:-
- (a) Modifications and drilling required to Truck, Signals Mk 2, unfitted, 1-ton, 4x4, Austin K9.
  - (b) Installation of kits detailed in Table 3 and Fig 6 to 15.
  - (c) Installation of equipments and stowing of station list spares detailed in Table 6 to 8 and Fig 1 to 5 and 16-17. This part can be carried out by units by arrangement with REME.

MODIFICATIONS AND DRILLING REQUIRED TO TRUCK, SIGNALS MK 2, UNFITTED,  
1-TON, 4x4, AUSTIN K9

5. Remove the penthouse locker from front of vehicle body.
6. Mark off and drill two  $11/32$  in. dia holes and cut one  $3.3/4$  in. x  $3.1/4$  in. hole in outer skin and one  $3.1/4$  in. square hole in the lining on l.h. side of body as detailed in Fig 7a and Fig 6 section A-A.
7. Mark off and drill twenty  $7/16$  in. dia holes and one  $9/32$  in. dia hole in floor as detailed in Fig 6.
8. Mark off and drill twelve  $11/32$  in. dia holes in front bulkhead as detailed in Fig 7b. Holes to be drilled through lining, member and outer skin of body.
9. Mark off and drill ten  $11/32$  in. dia holes in r.h. wall as detailed in Fig 7b. Holes to be drilled as detailed in para 8.
10. Mark off and drill eight  $11/32$  in. dia holes in rear bulkhead as detailed in Fig 7a. Holes to be drilled as in para 8.
11. Modifications as detailed in Wh Veh D 607 Modification Instruction No 13 will have been carried out on this vehicle to the front r.h. and l.h. aerial mountings. Para 12 to 15 are an extract from these instructions and cover the modifications required to the aerial mounting on the l.h. rear corner of the roof. It may be necessary to fit earth braids etc to this aerial position; if so use one of the front aerial mountings as a pattern.
12. Refer to Fig 8. Remove the aerial mounting plate at the l.h. rear corner of the roof by undoing the eight woodscrews retaining the plate. Examine the underside of the plate and, if a tapped ring or welded nuts are not already fitted, remove the cover plate and weld a  $1/4$  in. UNF nut concentrically under each of the six  $9/32$  in. holes in the aerial mounting plate as indicated. Clean and tin the top side of one corner of the plate (the corner of the plate is that which will be nearest the body centre line and the rear of the body when the plate is refitted) using resin-cored solder. Clean and tin the free ends of the earthing braids A and B already fitted to the roof adjacent to the mounting plate, over a length of about  $3/4$  in. from the ends of the braids. Drill a  $9/32$  in. dia hole in the free ends of the two braids A (if fitted) as indicated in Fig 8. (If earthing braids B are fitted there should already be  $9/32$  in. dia holes at their free ends. If not cut suitably positioned holes.)

13. Clean up the aerial mounting plate and remove all old sealing compound from the underside of the plate. Repaint the plate with suitable priming and finishing paints, leaving the corners clean and free of paint.

14. Cut a 3 in. dia hole in the outer (metal) skin of the body and 1 in. dia hole through the roof of the body, concentric with the centre of the aerial mounting plate as indicated in Fig 8. Drill 9/32 in. dia holes through the roof at positions that will coincide with the corner holes in the mounting plate. Remove all burrs formed and old sealing compound from the outer skin of the roof. Paint the exposed wooden packing blocks and edges of all holes with suitable priming and finishing paint.

15. Apply Bostik liberally to the mating faces of the mounting plate and roof. Replace the mounting plate and secure with 1/4 in. UNF x 2.3/4 in. hex. hd. screws, washers and nuts at three corners and by Screws, hex. hd., 1/4 in. UNF x 3.1/4 in., washers and nuts at the corners of the plates previously tinned, ie at the corners of the plate nearest the body centre line and the rear of the body. Secure braids B under these screws. Complete the securing of the plate by replacing the woodscrews in the remaining four holes in the mounting plates. Apply sealing compound and paint to all screws and nuts.

#### FITTING OF INSTALLATION AND ELECTRICAL KITS

Box power output socket (X2/XB 20631) - Qty 1 - Item No 1

16. Apply a film of Bostik, 1/2 in. wide, around outer edge of hole cut in l.h. side of body. Position the box in the hole and secure with three self tapping screws, No 6, rd. hd. x 3/4 in. in holes above the cover and seven self tapping screws, No 4, csk. hd. x 1/2 in. in holes under the cover. Drill No 36.

Section - qty 1 - part of Item No 1

17. Apply a film of Bostik to the underside of the section and fit above output socket as detailed in Fig 6. Secure with four self tapping screws, No 6, rd. hd. x 1/2 in. Drill No 36.

Fastener flap - qty 1 - part of Item No 1

18. Position the flap so that it secures cover of output socket as detailed in Fig 6 and secure with two screws, self tapping, No 6, rd. hd. x 1/2 in. Drill size No 36.

Insulator, WT, aerial lead in No 32 (Z1/ZA 51757) - qty 1 - Item No 4

19. Mount, in the 5 in. dia hole in the mounting plate, Item No 6 as detailed in Fig 9. The method is self explanatory.

Base, metal, vehicle roof antennae (Z1/ZA/CAN 4800) - qty 1 - Item No 8

20. Apply a film of Bostik to underside of the base and fit on mounting plate, Item No 6 as detailed in Fig 9 B-B. Secure with three Screws, 5/16 in., UNF, hex. hd. x 3/4 in., washers and stiffnuts.

Fan, Ventaxia, 110/250V, a.c., 9 in., reversible (X2/XB 19901) - qty 1 -  
Item No 5

21. Mount, in the 9.3/4 in. dia hole in the mounting plate, Item No 6, as detailed in Fig 9 terminal box on the underside and facing the rear of the assembly. Method of mounting is self explanatory.

Mounting, aerial base (Z1/ZA 56237) - qty 1 - Item No 6

22. Remove cover from front centre of roof (woodscrews). Apply a film of Bostik to all exposed edges of woodwork and fit the mounting plate, complete with fan and insulator etc. as detailed in Fig 9, fan to the rear. Secure with 24 woodscrews, No 8, rd. hd. x 3/4 in.

Cowls, fan (Z1/ZA 55945) - qty 1 - Item No 7

23. Apply a film of Bostik to the underside of the feet of the cowl and fit over the fan as detailed in Fig 9. Secure with four Screws, No 2 BA, hex. hd. x 3/4 in., washers and stiffnuts.

Aerial base No 28 (Z1/ZA 41843) - qty 1 - Item No 9

24. Remove the cover plate from the l.h. rear aerial mounting plate if fitted. Connect Lead, electrical, 11.1/4 in. long, Z1/ZA 55033, Item No 10, to the terminal inside the aerial base, ensuring that the screw is firmly tightened. Pass the free end of the connector through the Gasket, rubber, round shape, w/bolt holes, 5 in. o.d., 1/8 in. thick, Z1/5820-99-949-1082, Item No 11 and assemble the gasket and aerial to Mounting, aerial base, No 1, Mk 2 (Z1/ZA 43415).

25. On the roof of the truck pass the aerial lead down through the centre hole in the mounting and into the truck. Align the six holes in the aerial base and gasket with the holes in the top of the mounting plate. Secure the assembly by means of six 1/4 in. UNF hex. hd. x 5/8 in. screws and lockwashers into tapped holes in the mounting plate.

26. Secure the lower end of the braid forming part of the aerial base under the head of one of the screws retaining the aerial base. See that the upper end of the copper braid on the aerial base is firmly attached. See Fig 10.

Mounting assembly, electrical equipment (Z1/ZA 56789) - qty 1 - Item No 12

27. Fit on the front wall as detailed in Fig 11b. Secure with eight Screws, 5/16 in. UNF hex. hd. x 3.1/4 in., Dowty seals, washers and stiffnuts. Bolt heads and Dowty seals on outside of body.

Support, adaptor, aerial to transmitter (Z1/ZA 56787) - qty 1 - Item No 13

28. Fit on the front wall as detailed in Fig 11b. Secure with four Screws, 5/16 in. UNF hex. hd. x 3.1/4 in. Dowty seals, washers and stiffnuts as in para 27.

Bulletin board, wood (Z2/ZB 15169) - qty 1 - Item No 14

29. Fit on the r.h. wall between the windows as detailed in Fig 11b and secure with four Screws, 5/16 in. UNF hex. hd. x 3.3/4 in., Dowty seals, washers and stiffnuts as detailed in para 27. Secure the bottom of the board with two No 10 csk. hd. x 1.1/4 in. thread cutting screws and cup washers. Drill size No 26.

Rack, storage, shelving, storage and display (Z2/ZB 15174) - Item No 15

30. Fit on the r.h. side as detailed in Fig 11b. Secure two outer supports with four Screws, 5/16 in. UNF, hex. hd. x 3.1/4 in., Dowty seals, washers and stiffnuts as detailed in para 27. Secure the two inner supports under screws securing notice board assembly, Item No 13.

Panel, electrical equipment, wood (Z1/ZA 56784) - qty 1 - Item No 16

31. Fit on the r.h. rear wall as detailed in Fig 11a. Secure with four Screws, 5/16 in. UNF hex. hd. x 3.1/4 in., Dowty seals, washers and stiffnuts as detailed in para 27.

Panel, electrical equipment, wood (Z1/ZA 56785) - qty 1 - Item No 17

32. Fit on the l.h. rear wall as detailed in Fig 11a. Secure with four Screws, 5/16 in. UNF hex. hd. x 3.1/4 in., Dowty seals, washers and stiffnuts as detailed in para 27.

Bulletin board, wood (Z2/ZB 15168) - qty 1 - Item No 18

33. Fit on the l.h. wall between the windows as detailed in Fig 11a. Secure with four Screws, 5/16 in. UNF hex. hd., Dowty seals, washers and stiffnuts as detailed in para 27.

Copper braid, 1/2 in. wide (Y3/ZA 10021) - 80 ft - Item No 19

34. Run as detailed in Fig 12a and 12b, copper braid to be secured to the walls with Screws, self tapping, No 4, rd. hd. x 3/8 in. and No 6 BA washers at approximately 6 in. intervals except where the braid changes direction; at these positions fixings to be closed up either side of the change.

35. All junctions to be soldered and a fixing to be placed centrally through the joint. Ends of copper braid tails to be soldered for a distance of one inch and flattened. 9/32 in. dia holes to be drilled centrally in these ends after soldering.

36. Drill a 9/32 in. dia hole in rear of the r.h. chassis member as detailed at A in Fig 12a and terminate copper braid as detailed in Fig 12a-b, sections A-B-C.

37. Clean away paint etc from around a convenient securing screw of Item No 8 and secure the copper braid running up front wall to Item No 6 under this fixing, and the copper braid tail to the earth terminal on the aerial guard.

Panel assembly, power input, No 3 (X2/XB 20632) - Item No 20

38. Fit, in the cut-out in the baseboard, Item No 16 and secure with six woodscrews, No 8, rd. hd. x 3/4 in. Solder copper braid for a distance of one inch and drill a 1/4 in. dia hole in the centre. Connect the copper braid to the CHASSIS EARTH terminal. Detail in Fig 11a.

Unit, electric shock protection, No 3 (Z1/ZA 46234) - qty 1 - Item No 21

39. Fit Item No 21 to Item No 16 as detailed in Fig 11a and secure with four Screws, No 2 BA, rd. hd., x 1/2 in., No 2 BA spacing washers, and No 2 BA washers. Spacing washers are fitted between unit and mounting bracket.

Panel, a.c. power distribution (X2/XB 20186) - qty 1 - Item No 22

40. Fit Item No 22 to Item No 16 as detailed in Fig 11a and secure with six Screws, No 0 BA, rd. hd. x 5/8 in., No 0 BA x 1/4 in. spacing washers, and No 0 BA washers. Spacing washers are fitted between carrier and unit. Secure copper braid under top r.h. corner fixing.

Switch unit, blackout, No 2 (Y2/YB 08166) - qty 1 - Item No 23

41. Remove metal beading from top of door frame, cut 3.3/4 in. off the l.h. side of this beading and replace the beading. Fit blackout switch in the top l.h. corner of door frame, securing with four Screws, PK, No 6, type Z, rd. hd. x 1/2 in. (drill size No 36) as detailed in Fig 11a.

Arm, operating, blackout switch (SD/A 181648) - qty 1 - Item No 24

42. Fit, on top l.h. corner of the door as detailed in Fig 11a, Item No 24, securing it with three Screws, PK, No 6, rd. hd., type Z x 1/2 in., drill size No 36. Check operation of switch by opening and closing door.

Controller, Ventaxia, reversible fan (X2/XB 19900) - qty 1 - Item No 25

43. Fit, on the panel, Item No 17, securing with four Screws, No 2 BA, rd. hd., and washers, No 2 BA, plain into tapped holes in the panel.

Light, desk, adjustable, 2 arm, Dugdill type MSV/54 modified  
(X2/6240-99-942-6380) - qty 2 - Item No 26

44. Fit, on the notice boards, Items No 14 and 18 as detailed in Fig 11a and 11b, securing with eight woodscrews, No 8, rd. hd. x 1 in. Solder the ends of the copper braid for a distance of one inch and drill a No 2 BA clearance hole in the centre. Connect the copper braids to the earth terminals on the lighting units.

Table 1 - Cable lengths and markings

Cable No	Cable size	Function	Length ft in.	Identification sleeve		
				Marking	Qty	Size
101	23/0076 twin P.V.C.	Blackout switch to door tumbler switch	3 0	24V a.c. door switch	2	5mm
102		Blackout switch to bench lamp No 1	7 6	24V a.c. bench lamp	2	5mm
103		Bench lamp No 1 to roof light No 1	7 9	24V a.c. roof light	2	5mm
104		Roof light No 1 to roof light No 2	6 0	24V a.c. roof light	2	5mm
105		Roof light No 2 to bench lamp No 2	7 9	24V a.c. bench lamp No 2	2	5mm
106		Blackout switch to power output socket	5 6	24V a.c. p.o. socket	2	5mm

Table 1 - (cont)

Cable No	Cable size	Function	Length ft in.	Identification sleeve		
				Marking	Qty	Size
107	110/0076 single P.V.C.	Shock protection unit to SAFETY EARTH A.C. power input panel No 3	3 0	Safety earth	2	5mm
108		Shock protection unit to CHASSIS EARTH A.C. power input panel No 3	3 6	Chassis earth	2	5mm
109	U.N. 4 core 0.0006	Fan controller to fan	12 6	240V a.c. fan	2	5mm
Cable lengths are approximate and for guidance only						

Table 2 - Connector details

Cat. No	Designation	Function
Z1/ZA 46324	Connector, twin, No 383, 2 ft 3 in.	Panel assembly, power input, No 3 to Unit, electric shock protection, No 3
Z1/ZA 46337	Connector, twin, No 392, 1 ft 6 in.	Panel, a.c. power distribution, to Unit, electric shock protection, No 3
Z1/ZA 51772	Connector, twin, No 428, 6 ft	Charging lead from blackout switch to Lanterns, electric
Z1/ZA 51770	Connector, twin, No 404, 12 ft	Transformer, 240/24V a.c. to blackout switch
Z1/ZA 56284	Connector, 3-core, 15 ft	Panel, a.c. power distribution to fan controller
Z1/ZA 56672	Connector, 2-conductor, No 391, 9 ft	Panel, a.c. power distribution to transformer, 240/24V a.c.
Z1/ZA 56285	Connector, 3-core, 11 ft	Panel, a.c. power distribution to heater socket
Z1/ZA 51765	Connector, No 221, type A/E	Panel, a.c. power distribution to rectifier

Wiring, lighting, heating and fan (fixed wiring)

45. Run and cleat cables and connectors as detailed in Table 1 and 2, and Fig 14 and 15. Cable lengths in Table 1 are approximate and will require trimming when connecting to lights etc.

46. All wiring to be installed as close as possible to side walls and bunched where more than two cables run together. Secure with plastic strip, 1/2 in. wide, Y3/9330-99-943-4837 formed into cleats and secured with Screws, self tapping, No 4, rd. hd. x 3/8 in. Washers, No 6 BA plain to be provided under head of screw to prevent tearing of plastic strip.

47. Cleats to be approximately 6 in. pitch except that, where cables change direction, cleats are to be closed up either side of the change. Identification sleeves to be fitted to both ends of the cables and indelibly marked as detailed in Table 1 column 5.

48. Remove terminal cover on blackout switch and connect cables 101-102 and 106 and Connectors No 404 and 428 as detailed in Fig 14 and 15. Replace terminal cover and solder copper braid for distance of one inch, drill a No 4 BA clearance hole in the centre and secure under the screw securing the terminal cover of the blackout switch. Cleat connector No 428 along top of panel and leave hanging.

49. Connect connector Z1/ZA 56772 to socket J and connector No 221 to socket C on the power distribution panel.

50. Remove the cover from Box, power output socket and connect cable No 106 to pins A-B. Connect a short length of single 23/0076 to pin C and replace cover. Solder copper braid tail for a distance of one inch and drill a No 4 BA clearance hole in the centre. Solder a No 4 BA tag on the end of the cable connected to pin C and secure this cable and copper braid under securing screw of terminal cover.

Blocks, mounting, 3 in. dia x 1/2 in. - qty 1 - Item No 28

51. Remove block from panel, Item No 17, prepare for switch, tumbler and refix over cable 101 as detailed in Fig 14. Secure with existing fixings, woodscrews, No 8, csk. hd. x 1 in.

Switch, tumbler, surface mounting, s.p., 5A, No 1 (X2/XB 15529) - qty 1 -  
Item No 29

52. Connect cable 101 and secure to block with two woodscrews, No 6, csk. hd. x 7/8 in.

Switch socket, 3-point, s.p., 5A, No 1 (X2/ZC 9770) - qty 1 - Item No 30

53. Connect Connector, 3pt, 11 ft, Z1/ZA 56285 to the switch socket and fit on the notice board, Item No 17, as detailed in Fig 14. Secure with two woodscrews, No 8, csk. hd. x 1.7/8 in.

54. Remove the cover from the fan controller and connect cable 109 and Connector, 3-core, 15 ft, Z1/ZA 56284 as detailed in Fig 15. Solder No 4 BA tags to green lead of cable 109 and connector and replace cover securing these soldering tags under one of the No 4 BA screws that secure the cover.



55. Connect cables 102 and 103 to bench light, l.h. side, and cable 105 to bench light, r.h. side. Fit two Lamps, electric, filament, 24V, 20W, clear (X5/6240-99-995-3218), Item No 33, to bench lights.

Blocks, mounting - qty 2 - Item No 31

56. Fit the blocks over cables on r.h. and l.h. sides of the roof as detailed in Fig 13 and 14, and secure with four Screws, self tapping, No 8, csk. hd. x 3/4 in.

Fitting, lighting, ceiling, circ, T.A.W. 1042 (X2/XB 20923) - qty 2 -  
Item No 32

57. Remove guard, glass, and fitting from mounting plate by undoing securing screws. Secure mounting plates to blocks (para 56) with six woodscrews, No 8, rd. hd. x 1/2 in. Insert cables through cable entry in fittings and secure fittings to mounting plates with the existing screws. Connect cables to lampholders and fit two Lamps, electric, filament, 24V, 20W, S.B.C., clear (X5/6240-99-942-3218), Item No 33. Replace glass and guards using existing fixings.

Fan, Ventaxia, 110/250V, a.c., 9 in., reversible (X2/XB 19901) - Item No 5

58. Connect cable 109 to the fan. Solder a No 4 BA tag to the green lead and secure this tag to one of the terminal box cover securing screws. See Fig 14 and 15.

Cables 107 and 108

59. Make up as detailed in Table 1. Terminate each end of the cables with terminals, wire end, 1/4 in., hook slot and connect as follows:-

- (a) Cable 107. SAFETY EARTH terminal Panels, power input, No 3 and Unit, electric shock protection, No 3, Mk 2.
- (b) Cable 108. CHASSIS EARTH terminals Panels, power input, No 3 and Unit, electric shock protection, No 3, Mk 2.

Connector, twin, No 383, 2 ft 3 in. (Z1/ZA 46324)

60. Connect between panels, power input and electric shock protection unit.

Connector, twin, No 392, 1 ft 6 in. (Z1/ZA 46337)

61. Connect between electric shock protection unit and panels, a.c. power distribution unit.

Connector, twin, No 404, 12 ft (Z1/ZA 51770)

62. Connect 24V output of transformer, 24V to blackout switch. Cleat with wiring as detailed in Fig 14 and leave hanging in rear r.h. corner.

Connector, 2-conductor, No 391, 9 ft (Z1/ZA 56772)

63. Connect a.c. power distribution unit to transformer, 24V. Cleat with connector No 404 down rear wall as detailed in Fig 14 and leave hanging.

Connector, No 221, type A/E (Z1/ZA 51765)

64. Connect a.c. power distribution unit to rectifier unit (teleprinter). Cleat with connectors in para 62 and 63 as detailed in Fig 14 and leave hanging.

Kit, stool, stowage, Marconi Ltd (Z2/ZB 15180) - qty 1 - Item No 34

65. Fit on rear door as detailed in Fig 11a. Secure bracket with seven Screws, PK, No 6, rd. hd., type Z x 3/8 in. and straps with four Screws, No 10, rd. hd. x 3/4 in.

Rack, storage, lifting handles (Z2/ZB 15176) - qty 1 - Item No 35

66. Fit on l.h. wall as detailed in Fig 11a and secure with two Screws, self tapping, No 10, csk. hd. x 1.1/4 in. Drill size No 30.

Support, transmitter and power unit (Z1/ZA 56788) - qty 1 - Item No 36

67. Fit on the floor as detailed in Fig 13. Locate over holes drilled in floor and secure with twelve Screws, 3/8 in. UNF, hex. hd. x 2.1/2 in., washers, stiffnuts and Plates, metal, steel, 4.1/2 in. x 4 in. x 1/4 in. (Z2/ZB 15170). Fishplates are positioned on the underside of the floor as shown by dotted outlines on Fig 13 and section A-A.

Support, radio receiver, Marconi (Z1/ZA 56794) - qty 1 - Item No 37

68. Fit on the floor as detailed in Fig 13. Locate over holes drilled in the floor and secure with eight Screws, 3/8 in., UNF, hex. hd. x 2.1/2 in., washers, stiffnuts and four Plates, metal, steel, 4.1/2 in. x 4 in. x 1/4 in. (Z2/ZB 15170). Fishplates are positioned on the underside of the floor as shown by dotted outlines in Fig 13 and section A-A.

Plate, mounting, desk radio equipment (Z2/ZB 15178) - qty 1 - Item No 38

69. Fit on the l.h. wall as detailed in Fig 11a and secure with two Screws, 5/16 in., UNF, hex. hd. x 3.1/4 in., Dowty seals, washers and stiffnuts as detailed in para 27.

Plate, mounting, teleprinter table (Y2/YB 09200) - qty 1 - Item No 38a

70. Fit on the r.h. wall as detailed in Fig 11b and secure with two Screws, 5/16 in. UNF, hex. hd. x 3.1/4 in., Dowty seals, washers and stiffnuts as detailed in para 27.

Plate, foundation, teleprinter table (Y2/YB 09201) - qty 1 - Item No 40

71. Fit on the r.h. rear corner of the floor as detailed in Fig 13 and secure with four woodscrews, No 8, csk. hd. x 1 in.

Bracket, angle, steel, 105 deg, 1.15/16 in. x 1.11/16 in., 1 ft wide  
(Z2/ZB 15179) - qty 1 - Item No 40a

72. Fit on the wheel arch in r.h. corner of the floor as detailed in Fig 13. Secure with two Screws, 1/4 in., UNF, hex. hd. x 3/4 in., washers and stiffnuts.

Plate, foundation, dummy load, electrical, steel (Z1/ZA 56795) - qty 2 -  
Item No 41

73. Fit on the floor in the r.h. rear corner as detailed in Fig 13 and secure with eight woodscrews, No 8, csk. hd. x 1 in.

Rack, storage, earth pipe, wood (Z2/ZB 15175) - qty 1 - Item No 42

74. Fit on floor as detailed in Fig 13 and secure with two woodscrews, No 8, csk. hd. x 1.3/4 in.

Plate, metal warning and shock treatment (Z1/9905-99-100-4065) - qty 1 -  
Item No 43

75. Fit on the rear door as detailed in Fig 11a and secure with eight Screws, self tapping, No 6, rd. hd. x 1/2 in.

Desk, radio establishment, Marconi (Z2/ZB 15177) - Item No 39

76. Remove mounting assembly from desk (six screws). Fit base in the l.h. rear corner of the floor as detailed in Fig 13 and secure with six woodscrews, No 10, csk. hd. x 1 in. Cleat lead from heater along floor and up wall to heater socket on notice board, leave enough slack at heater to enable the heater to be removed for repair etc. Re-assemble desk to base with existing fixings and secure to wall mounting, Item No 38, with two 5/16 in. UNF stiffnuts, washers and 5/16 in. x 3/4 in. long spacing washers fitted between desk and wall mounting strip.

Table, teleprinter, Marconi (Y2/YB 09199) - qty 1 - Item No 93

77. Fit in the rear r.h. corner of the body as detailed in Fig 13. Secure to the floor and wheel arch mounting brackets with six Screws, 1/4 in., UNF, hex. hd. x 1/2 in. and spring washers. Secure to wall mounting strip with two 5/16 in. UNF stiffnuts, washers and spacing washers. Spacing washers fitted as in para 76.

78. Replace penthouse locker on front of body, securing with existing fixings.

Table 3 - Details of installation kits

Item	Description	CES No	Qty	Remarks
1	Box, power output socket, assembly, comprising:- Box, power output socket Section Fastener flap	X2/XB 20631	1	Fixings 01, 02, 03
4	Insulator, WT, aerial lead in, No 32	Z1/ZA 51757	1	Fixed in Item No 6
5	Fan, Ventaxia, 110/250V a.c., 9 in.	X2/XB 19901	1	Fixed in Item No 6
6	Mounting plate		1	Fixings included in assembly
7	Cowls, Ventaxia	Z1/ZA 55945	1	Fixings 02, 03, 04
8	Base, metal, vehicle roof antennae	Z1/ZA/CAN 4800	1	Fixings 05, 06, 07

Table 3 - (cont)

Item	Description	CES No	Qty	Remarks
9	Aerial base No 28	Z1/ZA 41843	1	Fixings 08, 09
10	Lead, electrical, 11.1/4 in.	Z1/ZA 55033	1	Fixed in Item No 9
11	Gasket, rubber, round shape, w/bolt holes, 5 in. o.d., 1/8 in. thick	Z1/5820-99-949-1082	1	Fixed in Item No 9
12	Mounting assembly, electrical equipment, comprising:- Top mounting bar Main mounting assembly Bracket (Acceptor unit) Aerial guard	Z1/ZA 56789	1	Fixings included in assembly
13	Support, adaptor, aerial to transmitter	Z1/ZA 56787	1	Fixings included in assembly
14	Bulletin board, wood, comprising:- Board Desk light Holder, chart, steel	Z2/ZB 15169  Z2/ZB 15173	1	Fixings included in assembly  See Item No 26
15	Rack, storage, shelving, storage and display	Z2/ZB 15174	1	Fixings included in assembly
16	Panel, electrical equipment, wood, comprising:- Board Electric shock protection unit Power distribution panel	Z1/ZA 56784	1	Fixings included in assembly  See Item No 21 See Item No 22
17	Panel, electrical equipment, wood, comprising:- Board Fan controller Block mounting Bracket, double angle, steel, 5.1/4 in. lg, 1.7/8 in. both legs, 1/4 in. thick	Z1/ZA 56785	1	Fixings included in assembly  See Item No 25 See Item No 28 Bracket for Lanterns, electric
18	Bulletin board, wood, comprising:- Board Desk light Switch socket	Z2/ZB 15168	1	Fixings included in assembly  See Item No 26 See Item No 30
19	Copper braid, 1/2 in. wide (internal earthing)	Y3/ZA 10021	80 ft	Fixings 010, 011
20	Panels, power input assembly, No 3	X2/XB 20632	1	Fixings included in Item No 16
21	Unit, shock protection No 3, Mk 2	Z1/ZA 46234	1	Fixings included in Item No 16
22	Power distribution unit, a.c.	X2/XB 08166	1	Fixings included in Item No 16
23	Switch unit, blackout, No 2	Y2/YB 08166	1	Fixing 01
24	Arm, operating blackout switch		1	Fixing 01
25	Controller, Ventaxia, reversible fan	X2/XB 19900	1	Fixings included in Item No 17

Table 3 - (cont)

Item	Description	CES No	Qty	Remarks
26	Light, desk, adjustable, 2 arm, Dugdill type MSV/54 mod	X2/6240-99-942-6380	2	Fixings included in Item No 14 and 18
27	Wiring heating, lighting and fan, comprising:- Cable, electric, 1-core, flat 110/0076, p.v.c. Cable, electric, 2-core, flat 23/0076, p.v.c. Cord, electric, 4-core, U.N., p.v.c.  Connector, twin, No 383  Connector, twin, No 392  Connector, twin, No 428 Connector, twin, No 404 Connector, 5-core, 9 ft 6 in. long Connector, No 391, 9 ft long Connector, 3-core, 15 ft long  Connector, No 221, type A/H	Y3/YC 01687 Y3/YC 01690 Y3/YC 00929  Z1/ZA 46324 Z1/ZA 46337  Z1/ZA 51772 Z1/ZA 51770 Z1/ZA 50148 Z1/ZA 51765	10 ft 50 ft 15 ft 1 1 1 1 1 1 1	Installation details para 45 to 50, Table 1 and 2, Fig 14 and 15  Fixings 010, 011 and Item No 44  Power input assembly to shock protection unit Distribution unit to shock protection unit Charging lead for lantern Transformer to blackout switch Distribution unit to fan controller Distribution unit to transformer Distribution panel to heater switch socket Distribution unit to rectifier
28	Blocks, mounting, 3 in. dia x 1/2 in. thick (Wardsworth)		1	Fixings included in Item No 17. Fitted to Item No 17
29	Switch, tumbler, surface s.p., 5A, No 1	X2/XB 15529	1	Fixings included in Item No 17
30	Switch socket, 3pt, s.p., 5A, No 1	X2/ZC 9770	1	Fixings included in Item No 18
31	Blocks, mounting		2	Fitted to roof
32	Fitting, lighting, ceiling circ, T.A.W. 1042	X2/XB 20923	2	Fixings 017
33	Lamps, electric filament, 24V, 20W, s.b.c. clear	X5/6240-99-942-5218	4	2 Item No 26 2 Item No 32
34	Kit, stool, stowage, Marconi Ltd	Z2/ZB 15180	1	Fixings included in assembly
35	Rack, storage, lifting handles	Z2/ZB 15176	1	Fixings included in assembly
36	Support, transmitter and power unit	Z1/ZA 56788	1	Fixings included in assembly
37	Support, radio receiver, Marconi	Z1/ZA 56794	1	Fixings included in assembly
37a	Plates, metal, steel, 4.1/2 in. x 4 in. x 1/4 in.	Z2/ZB 15170	10	6 Item No 36 4 Item No 37
38	Plate, mounting, desk radio equipment	Z2/ZB 15178	1	Fixings included in assembly
38a	Plate, mounting, teleprinter table	Y2/YB 09200	1	Fixings included in assembly
39	Desk, radio establishment, comprising:- Mounting, base assembly Heater Desk assembly Table top	Z2/ZB 15177	1	Fixings included in assembly

Table 3 - (cont)

Item	Description	CES No	Qty	Remarks
40 and 40a	Bracket, angle, steel, 105 deg, 1.15/16 in. x 1.11/16 in., 1 ft wide Plate, foundation, teleprinter table	Y2/YB 09201	1	Fixings included in assembly
41	Plate, foundation, dummy load electrical, steel	Z1/ZA 56795	2	Fixings included in assembly
42	Rack, stowage, earth pipe, wood	Z2/ZB 15175	1	Fixings included in assembly
43	Plate, metal, warning and shock treatment	Z1/9905-99-100-4065	1	Fixing 01
44	Installation accessories:- Adhesive, Bostik No 1261 - tubes Sleeves, identification, type B, 5mm i.d., 1 in. long Terminal, tag, No 4 BA Terminal, tag, No 2 BA Terminal, wire end, 1/4 in. hook slot	Z2/8040-99-943-4310 Y3/YC 02260 Y3/WB 3624	2 18 2 1 1	1 fan controller, 1 fan Fan Cables 107-108
01	Screws, PK, No 6, type Z, rd. hd. x 1/2 in.		15	4/23, 3/24, 8/43
02	Screws, No 2 BA, hex. hd. x 3/4 in.		4	4/7
03	Washer, No 2 BA, plain, small		8	8/7
04	Stiffnut, No 2 BA, hex. hd.		4	4/7
05	Screw, 5/16 in., UNF, hex. hd. x 3/4 in.		3	3/8
06	Washer, 5/16 in., plain		6	6/8
07	Stiffnut, 5/16 in., UNF, hex. hd.		3	3/8
08	Screw, 1/4 in., UNF, hex. hd. x 5/8 in.		6	6/9
09	Washer, 1/4 in., spring, s.c.		6	6/9
010	Screw, PK, No 4, rd. hd. x 3/8 in.		348	114 earth braid 204 fixed wiring cleats
011	Washer, No 6 BA, plain, large		348	114 earth braid 204 fixed wiring cleats
012	Stud, 1/4 in., 28, UNF x 2 1/2 in., brass		1	Earth stud - vehicle floor
013	Washer, 1/4 in., plain, brass		8	
014	Dowty seal, 1/4 in. i.d.		1	
015	Nut, 1/4 in., 28, UNF, hex, lock, brass		8	
016	Screw, 1/4 in., 28, UNF, hex. hd. x 1.1/4 in.		1	Chassis earth
017	Woodscrew, No 8, rd. hd. x 1/2 in.		12	12/32

FITTING OF EQUIPMENTS AND STOWAGE OF STATION LIST ITEMSGeneral

79. To facilitate fitting of the heavier units, the steps, whether stowed on the back of the vehicle or fitted against the door, should be removed and a firm platform erected immediately outside the door of the vehicle. This need not necessarily be the same height as the vehicle floor.

Harness and connector terminations

80. A system of identification has been devised to assist connecting harness and connector terminations to their correct mating plug or socket. Each cable is marked near the plug or socket with coloured bands carrying a number and a letter. The number corresponds with the number of the unit to which it belongs, and the letter to the panel plug or socket on the unit and to which it is connected. Thus if a connector is marked 7C, it will be connected to panel socket C on the aerial change-over relay. The identifying number is engraved on a red plate attached to each unit. A list of the unit numbers is given in Table 4.

Table 4 - Unit reference numbers

Unit No	Unit
1	Transmitter, radio, D11
2	Coupler assembly
3	Meter assembly, standing wave ratio
4	Adaptor, aerial to transmitter
5	Receiver, radio, R230
6	Aerial guard
7	Aerial changeover system
8	Acceptor unit
9	Dummy load, electrical
10	Power supply, transmitter, radio, D11
11	Control indicator
12	Adaptor, aerial to receiver
13	Panels, power distribution, a.c.
14	Switch box
15	Power supply set, 240/1/50, output 24V
16	Interconnecting box, 12-way
17	Transformer unit, 24V
18	Loudspeaker, p.m., 9Ω, 3.1/4 in.
19	Unit, electric shock protection

Table 5 - Cableform and connector details

Ref	Connector	CES No	Where fitted
1	Cable assembly, power, electrical, approximately 18 ft 6 in. long (W 84594)	Z1/ZA 54989	Power distribution unit to Transmitter power supply unit. Test load to directional coupler
2	Cable assembly, special purpose, electrical, 18-conductor, 10 ft 6 in. long o/a (W 84555)	Z1/ZA 55026	Transmitter to transmitter p.s.u.
3	Cable assembly, special purpose, electrical, 10 ft 1.1/2 in. long o/a (W 84595)	Z1/ZA 55027	Transmitter to transmitter e.h.t.
4	Lead, electrical, 4 ft long o/a (W 87474)	Z1/ZA 55028	Transmitter p.s.u. earth. Fixed to earth braid Part 2
5	Cable assembly, radio frequency, 2 ft 6 in. long (W 84599)	Z1/ZA 55844	Directional coupler to transmitter
6	Cable assembly, radio frequency, 2 ft 6 in. (W 84599C)	Z1/ZA 55030	Directional coupler to aerial c/o relay
7	Cable assembly, special purpose, electrical, 6-conductor, 1 ft 9 in. long (W 84566)	Z1/ZA 55031	Directional coupler to microswitch
8	Cable assembly, radio frequency, 3 ft 6 in. long (W84559B)	Z1/ZA 55029	Aerial c/o relay to transmitter aerial matching unit
9	Lead, electrical, 1 ft 3 in. long o/a (W 87457)	Z1/ZA 55032	Aerial matching unit or loading coil to aerial
10	Cable assembly, special purpose, electrical, 9 ft 4 in. long (W87451A)	Z1/ZA 55109	Directional coupler to transmitter (remote)
11	Cable assembly, special purpose, electrical, 100 ft long (W87470)	Z1/ZA 55110	Operator's control unit to receiver aerial matching unit (remote)
12	Cable assembly, special purpose, electrical, 2-conductor, 6 ft 3 in. long (W84758A)	Z1/ZA 55108	Rectifier to S/R switch box
13	Cable assembly, set, electrical, 16-cable assembly, s.p., electric (W 78599)	Z1/ZA 55052	Main cableform

81. Where a panel plug or socket is marked with a circuit reference (PLB-SKTC) instead of a letter, the cable termination letter will refer to the last letter of the circuit reference. In this case cable 2C will connect to panel socket SKTC on the coupler assembly, or cable 10V to socket SKTV on the transmitter p.s.u.

Rack, storage, shelving, storage and display

82. Remove the rack from its supporting brackets (eight screws).

Cable assembly, power, electrical, approx 18 ft 6 in. (Z1/ZA 54989) and cable assembly, set, electrical, 16-cable assembly, s.p., electrical (Z1/ZA 55052)

83. Run and cleat cableforms round cabin roof as detailed in Fig 16. Cableforms to be run and cleated as follows:-



- (a) Plastic strip Y3/9330-99-943-4837 is to be formed into cleats as detailed in Fig 16 section B-B and secured by Screws, No 4, PK, rd. hd. x 3/8 in. (qty 156). Washers, No 6 BA, plain are to be fitted under the head of the PK screw to prevent tearing of the plastic strip. Cleats are to be closed by Studs, positive lock, polythene, rd. hd., Y3/5325-99-943-4856.
- (b) All cleats are to be fixed at approximately eight inch pitch and where possible lined up with cleats securing fixing wiring.
- (c) At tee connections fixing cleats to be sited on each leg of the tee and as close to the tee as possible.
- (d) All fixing studs to be easily accessible and positioned on the side of the cableform furthest from the wall.
- (e) Cableforms in Fig 16 are shown in close proximity to their final position when installed.

Transmitter, radio, D11 (76506) (Z1/ZA 54910) - Unit No 1

84. Slide the transmitter into the mounting assembly as detailed in Fig 2, ensuring that the rear of the transmitter engages in the two lugs on the mounting assembly and secure:-

- (a) The base of the transmitter to the mounting assembly with two Screws, 1/2 in., UNF, hex. hd. x 1/2 in., washers and stiffnuts.
- (b) The top of the transmitter to the mounting assembly on the front bulkhead with two Screws, 5/16 in., UNF, hex. hd. x 3/4 in., 5/16 in. x 1/4 in. spacing washers fitted between the mounting and transmitter and two plain washers.

85. Connect earth braid to earth terminal on the l.h. side rear of the transmitter.

Receiver, radio, R230 (W 76661) (Z1/ZA 54909) - Unit No 5

86. Slide the receiver into the mounting assembly as detailed in Fig 2, ensuring that the lugs on the mounting assembly engage in the rear of the receiver and secure:-

- (a) The base of the receiver to the mounting assembly with two Screws, 1/2 in., UNF, hex. hd. x 1.1/2 in., washers and stiffnuts.
- (b) The top of the receiver to the mounting assembly on the front bulkhead with two Screws, 5/16 in., UNF, hex. hd. x 3/4 in., two 5/16 in. x 1/4 in. spacing washers and plain washers. Spacing washers fitted between the assembly and receiver.

87. Connect earth braid to earth terminal on the front of the receiver and secure braid along the floor between the r.h. wall and earth terminal with Screws, No 4, PK, rd. hd. x 3/8 in. Connect the cableform to receiver as detailed in Fig 17. Fit the footguard assembly, Z2/ZB 15171 over cables with fixings existing on receiver.

Power supply, transmitter, radio, D11 (W 76507) (Z1/ZA 54911) - Unit No 10

88. Slide p.s.u. into mounting assembly as detailed in Fig 2, ensuring that the lugs on the mounting assembly engage in the rear of the p.s.u. and secure at the front with two Screws, 1/2 in., hex. hd. x 1.1/2 in., washers and stiffnuts. Connect earth lead to earth terminal on p.s.u.

89. Connect cableforms, reference 1 to 4, Table 5, to transmitter and p.s.u. as detailed in Fig 17. Fit the footguard assembly, Z2/ZB 15171 over cables on transmitter with fixings existing on transmitter.

Rack, storage, shelving and display

90. Replace rack with existing fixings.

Adaptor, aerial to transmitter (W 60788) (Z1/ZA 56224) - Unit No 4

91. Slide unit into mounting bracket on the front bulkhead as detailed in Fig 2 and secure with four screws existing in Creeth case of unit into tapped holes in bracket. Connect earth braid to earth terminal on top r.h. corner of case.

Dummy load, electrical (Z1/ZA 56235) - Unit No 9

92. Fit on foundation strips in r.h. rear corner of the floor as detailed in Fig 5 and secure with four Screws, 1/4 in., UNF, hex. hd. x 1/2 in., 1/2 in. x 1/4 in. spacing washers fitted between unit and foundation strips, and plain washers. Connect earth braid to earth terminal on r.h. side of case.

Transformer unit, 24V (X2/XB 20464) - Unit No 17

93. Fit in bracket under teleprinter table as detailed in Fig 5 and secure with four Screws, No 0 BA, csk. hd. x 3/4 in., washers and stiffnuts. Connect earth braid under one of the front securing screws. Examination of the bracket will show that paint etc has been cleaned away around this position.

Power supply set, 240/1/50, output 24V (Z9/ZJ 00257) - Unit No 15

94. Fit in bracket on underside of teleprinter table as detailed in Fig 5 and secure with four Screws, 1/4 in., UNF x 1/2 in., 1/4 in. x 1/4 in. spacing washers fitted between unit and bracket, washers and stiffnuts.

Coupler assembly (W 78595) (Z1/ZA 56770) - Unit No 2

95. Fit on the r.h. side of aerial guard as detailed in Fig 4 and secure with existing fixings on aerial guard.

Aerial changeover system (Z1/ZA 54983) - Unit No 7

96. Fit on the r.h. side of aerial guard as detailed in Fig 4 and secure with existing fixings on aerial guard.

Meter assembly, standing wave ratio (Z1/ZA 56303) - Unit No 3

97. Fit on the front of aerial guard as detailed in Fig 2 and secure with existing fixings on aerial guard.

Control indicator (Z1/ZA 54984) - Unit No 11

98. Fit on top of the desk as detailed in Fig 4 and secure with four Screws, No 0 BA, hex. hd. x 7/8 in. and washers into tapped holes in top of desk. Connect earth braid to earth terminal on top of case.

Slide No 1 (Z1/ZA 4381)

99. Fit on top of desk as detailed in Fig 4 and secure with two Screws, wood, No 8, csk. hd. x 7/8 in. into holes in top of desk.

Key and plug assembly, No 2B, Mk 1 (Z1/ZA 26924)

100. Fit in slide on top of desk as detailed in Fig 4.

Adaptor, aerial to receiver (Z1/ZA 54912) - Unit No 12

101. Fit in the carrier on baseboard l.h. side rear wall as detailed in Fig 3. Secure with fixings existing in bracket. Connect earth braid from Aerial base No 28 to earth terminal on adaptor. Connect the lead from Aerial base No 28 to aerial terminal on adaptor.

102. The Carrier, support, adaptor, aerial to receiver (Z1/ZA 56786) referred to in para 101 should be supplied fitted to the baseboard, if not it will have to be fitted. Secure with existing fixings supplied with baseboard.

Carrier, loudspeaker (LV9-AHY 264409)

103. Fit on baseboard l.h. rear wall as detailed in Fig 3 and secure with two wood-screws, No 8, rd. hd. x 1/2 in.

Loudspeaker, p.m., 9Ω, V.C.1, 3.1/4 in. dia (Y1/5965-99-901-0731)

104. Fit in carrier on baseboard l.h. rear wall as detailed in Fig 3 and secure with fixings existing on carrier.

Bracket, double angle, steel, (Z2/ZB 15172)

105. Fit on baseboard l.h. rear wall as detailed in Fig 3 and secure with fixings existing on baseboard. Support for Lanterns, electric.

Interconnecting box, 12-way (Z1/ZA 54915) - Unit No 16

106. Fit on baseboard l.h. rear wall as detailed in Fig 3. Secure with four Screws, No 2 BA, rd. hd. x 3/4 in. and spring washers.

Carrier, set, 10.1/4 in. long x 4.5/8 in. wide (WS/WE/SD/C 153818)

107. Fit on desk top as detailed in Fig 4 and secure with four woodscrews, No 8, csk. hd. x 1/2 in.

Base, wood, teleprinter (Y2/YB 08193)

108. Fit on top of teleprinter table as detailed in Fig 1. Secure with four screws in base into tapped holes in teleprinter table

Switch box (W 78593) (Z1/ZA 54985)

109. Fit on teleprinter baseboard as detailed in Fig 5. Secure with four woodscrews, No 8, rd. hd. x 1/2 in. Connect earth braid to earth terminal on case of switch box.

Teleprinter, WD No 7B, Mk 1 (Y2/YB 02402), Mk 1/2 (Y2/YB 02403),  
Mk 1/2 (Y2/YB 03317) or Mk 1/3 (Y2/YB 07639)

110. Fit on teleprinter baseboard, securing with existing fixings. Connect output from teleprinter to 9-way socket and 3-pin 24V supply plug to 3-pin socket on switch box.

Acceptor unit (Z1/ZA 54916) - Unit No 8

111. Fit on front bulkhead as detailed in Fig 2. Secure by screws in Creeth case into tapped holes in support. Connect earth braid to earth terminal.

Connector, twin, No 391 and 404 (see para 62 and 63)

112. Connect to input and output sockets of Transformer unit, 24V.

Connector, No 221 and cable assembly (Z1/ZA 55108)

113. Connect connector No 221 to mains input socket of rectifier unit and cable assembly (Z1/ZA 55108) to output of rectifier and S/R switch box.

Power and inter-unit connections

114. Connect all units as detailed in Fig 17 and para 80.

Inductor, r.f. (W 62000) (Z1/ZA 55879)

115. Stow in Carrier, support, adaptor, aerial loading coil (Z1/ZA 56793) in aerial guard as detailed in Fig 5.

Setting up and testing installation

116. Set up and test the installation as detailed in Tels I 403.

Table 6 - Details of station items

Ref	Description	Part No	Qty	Remarks
1	Transmitter, radio, D11	Z1/ZA 54910	1	Fixings 01, 02, 03, 04, 017, 027
2	Coupler assembly	Z1/ZA 55945	1	} Fixings included on } aerial guard
3	Meter assembly, s.w.r.	Z1/ZA 56303	1	
4	Adaptor, aerial to transmitter	Z1/ZA 56234	1	Fixings included in case of unit
5	Receiver, radio, R230	Z1/ZA 54909	1	Fixings 01, 02, 03, 04, 017, 027
6	Aerial guard			Part of front wall assembly
7	Aerial changeover system	Z1/ZA 54983	1	Fixings included on aerial guard
8	Acceptor unit	Z1/ZA 54916	1	Fixings incorporated in case
9	Dummy load, electrical	Z1/ZA 56235	1	Fixings 07, 08, 011
10	Power supply, transmitter, radio, D11	Z1/ZA 54911	1	Fixings 03, 04, 027
11	Control indicator	Z1/ZA 54984	1	Fixing 09
12	Adaptor, aerial to receiver	Z1/ZA 54912	1	Fixings incorporated in bracket
13	Power distribution unit, a.c.			Part of r.h. baseboard assembly
14	Switch box	Z1/ZA 54985	1	Fixing 06
15	Supply unit, rectifier, input 240V, 50c/s a.c., output 24V, 3A d.c.	Z9/ZJ 00257	1	Fixings 07, 08, 011
16	Inter-connecting box, 12-way	Z1/ZA 54915	1	Fixings 013, 014, 015
17	Transformer, input 240V, output 24V	X2/XB 20464	1	Fixings 019, 020, fixed on reference 93
18	Loudspeaker, SI, 3.1/4 in. dia.	Y1/YA 9685	1	Fixed in reference 37
19	Shock protection unit No 3, Mk 2			Part of r.h. baseboard assembly

Table 6 - (cont)

Ref	Description	Part No	Qty	Remarks
20	Connector, coaxial, r.f., plug		1	) These items supplied fitted to aerial guard
21	Socket, Mk 4, brass		1	
22	Plug, Mk 4		1	
23	Micro switch, spring plunger		1	
24	Cable, 1/.044 in., p.v.c., insul., pink		1	
25	Sleeve, cable binding		10	
26	Label (blank)		1	
27	Plug, mounting (under ref 2)		1	)
28	Inductor, r.f. (W62000)	Z1/ZA 55879	1	Fixing bracket included in aerial guard
29	Footguard assembly	Z2/ZB 15171	2	Fixings supplied with transmitter and receiver
30	Teleprinter, 7B (WB)	Mk 1 Y2/YB 02402)	1	Fixing - Teleprinter strapped to table top
		Mk 1/1 Y2/YB 02403)		
		Mk 1/2 Y2/WB 03317)		
		Mk 1/3 Y2/YB 07639)		
31	Cable drum, No 5, Mk 2	Y3/WB 3767	2	
32	Pipe earth, Mk 3	Y1/YA 1155	2	) Stowed in earth pipe stowage
33	Hammer, 7 lb.	F1/FA 14236	1	
34	Lantern, electric, SD/C 153523	X2/XB 22172	1	Stowage baseboard (nearside)
35	Telephone, set, J or L Mk 1/1	Y1/YA 7815) Y1/YA 6989)	1	Strapped in carrier ref 36
36	Carrier, set, for telephone set		1	Fixing 016
37	Carrier for loudspeaker		1	Fixing 06 fitted on near-side baseboard
38	Key and plug assembly, No 28, Mk 1/1	Z1/ZA 26924	2	Fitted in slide
39	Slide No 1	Z1/ZA 4381	2	Fixing 016 (desk)
40	Stool, folding	Z2/ZB 14764	2	Fitted in stool stowage assembly

Table 6 - (cont)

Ref	Description	Part No	Qty	Remarks
41	Penthouse lighting kit in case	X2/XB 20252	1	Stowed
42	Connectors, various		1 set	See details Table 5 and Fig 17
43	Remote control unit, type 5446	Z1/ZA 54913	1	Stowed on table
44	Aerial transformer, type HA21	Z1/ZA 54914	1	} Stowed in locker
45	Aerial transformer, type HA114	Z1/ZA 56304	1	
46	Test meter, radio	Z1/ZA 56236	1	Stowed in ref 48
47	Haversack No 1	Z1/8465-99-940-0047	3	Stowed in ref 48
48	Miscellaneous spares, T/P spares various		1 set	Stowed in drawers and cupboard nearside. See details Table 7
49	Connector No 396	Z1/ZA 46960	300 ft	Stowed on cable drum. A.C. mains generator to a.c. input panel
50	Cable, D10, Mk 2, twisted or Tele, carrier, quad, type P, Mk 3	Y3/YC 00642	1 mile	} Stowed on cable drum
		Y3/6245-99-940-8638	1/2 mile	
51	Masts, 36/48 ft, steel, light-weight, No 1 with Stays, pegs, marking out and halyards		2 set	Stowed, locker, mast, vehicle sides
52	Erection gear, for ref 51		1 set	Stowed in locker
53	Aerials, vertical, 34 ft (Canadian)(Comprises 2 masts)	Z1/ZA/CAN 1011	2	
54	Bag aerial gear, Canadian	Z1/ZA/CAN 1016	1	} Stowed in locker
55	Guys, assembly	Z1/ZA/CAN 1045	8	
56	Hammer, 4.1/2 lb, striking	Z1/ZA/CAN 1041	1	
57	Hammer, engineering, ball peine, 8 oz	F1/FA 14125	1	

Table 6 - (cont)

Ref	Description	Part No	Qty	Remarks
58	Lead, aerial, No C6	Z1/ZA/CAN 00102	1	) Stowed in locker
59	Spikes, ground	Z1/ZA/CAN 0945	2	
60	Base, aerial assembly	Z1/ZA/CAN 4795	2	
61	Pamphlet, instruction, or Instructions, working, antennae, vertical	ZA/C 00079 ) Z1/ZA/CAN ) 4796 )	1	) Transmitter - line terminat- ing unit. Stowed in locker
62	Connector assembly		1	
63	Aerial feeder, 50 ft, coaxial, UR57	Z1/ZA 54987	3	
64	Aerial feeder, 50 ft, coaxial, UR70	Z1/ZA 54988	2	) Stowed in locker
65	Antennae rod, section, No C1	Z1/ZA/CAN 0699	8	) Stowed in ref 68 carry- ing cases
66	Antennae rod, section, No C2	Z1/ZA/CAN 0700	4	
67	Antennae rod, section, No C3	Z1/ZA/CAN 0701	4	
68	Carrying case No 2 for antennae rods 65, 66, 67	Z1/ZA 11550	3	) Stowed in locker
69	Peg, antennae rod A, Mk 1, or Peg, antennae rod A, Mk 1/1	Z1/ZA 0374 ) Z1/ZA 29516 )	10	
70	Cable, aerial lead-in, HT P5, Mk 1	Y3/WB 1041	20 yd	) Stowed in locker
71	Cable, external earth, HT P13, Mk 1	Y3/WB 1043	10 yd	
72	Wire, stranded, (extra aerals) 7-strand, copper, R4, Mk 1	Y3/WB 1057	100 yd	
73	Wire, receiver, aerial (when used remote) 7/.0076, v.i.r., R5, Mk 1	Y3/WB 1059	100 yd	)



Table 6 - (cont)

Ref	Description	Part No	Qty	Remarks
74	Aerial, end fed, 150 ft max, SD/B 183169 or Aerial, 75 ft, No 2, Mk 1/1	Z1/ZA 54152 } Z1/ZA 29520 }	1	) Stowed in locker
75	Aerial braid, adjustable, or Aerial, 185 ft, No 2, or Aerial, 185 ft, No 2, Mk 1/1	Z1/ZA 24340 }	1	
76	Element, dipole, 75 ft max, ZD/B 183167 Dipole, h.f., high power centre junction, SD/B 183177  or Aerial, dipole, No 9, Mk 1/1 Aerial, dipole, No 9A, Mk 1/1 Aerial, dipole, No 9B, Mk 1/1	Z1/ZA 54150 Z1/ZA 54395  Z1/ZA 29519 Z1/ZA 29518 Z1/ZA 29517	2 1  1 1 1	) These items together can ) be replaced by the next ) three items if former are ) not available. Stowed ) in locker  ) See above. ) Stowed in locker
77	Stays, 45 ft, No 1, or Stays, 45 ft, No 1, Mk 1/1	Z1/ZA 24338 ) Z1/ZA 29538 )	2	) Stowed in locker
78	Pin, earth, small	Y1/YA 1152	2	
79	Insulator, moulded, chain, 2-link	Z1/ZA 4589	2	) Stowed in locker
80	Insulator, moulded, chain, 3-link	Z1/ZA 4444	4	
81	Adaptor, aerial base, No 4 (V aerial)	Z1/ZA 51757	1	Stowed in locker. Required for coupling cable assembly, r.f. 50 ft
82	Socket to socket, electrical fixed, style ABR4F	Z/5935-99- 054-0019	2	Stowed in locker
83	Coupling socket, 1pt, No 2	X2/XB 20781	2	Coupling Niphan to Uniradio No 57 socket
84	Chart, wiring layout		1	) Stowed in chart holder
85	Chart, store locating		1	
86	Plastic strip, 1/2 in. wide	Y3/9330-99- 943-4857	60 ft	See also Table 3. Cable- form positioning, fixings 05, 010
87	Studs, polythene	Y3/5325-99- 943-4856	100	Fixings for cableform cleats
88	Bracket, fire extinguisher	4210-99- 942-6904	1	Fixing 012

Table 6 - (cont)

Ref	Description	Part No	Qty	Remarks
89	Fire extinguisher	4210-99- 942-6905	1	Fitted in ref 88
90	Bracket assembly, (receiver matching unit)		1	Fixings included in assembly
91	Teleprinter baseboard	Y2/YB 08193	1	
92				
93	Teleprinter table		1	Fixings included in assembly
01	Screw, 5/16 in., 24 UNF, hex. hd., 3/4 in. long		4	} 2/1, 2/5, receiver and } transmitter cabinet top } fixings
02	Washer, 5/16 in., plain		4	
03	Screw, 1/2 in., 20 UNF, hex. hd., 1.1/2 in. long		6	2/1, 2/5, 2/10
04	Washer, 1/2 in., plain		12	4/1, 4/5, 4/10
05	Screw, PK, No 4, type Z, rd. hd., 3/8 in. long		156	156/cableform
06	Woodscrew, No 8, rd. hd., 1/2 in. long		6	4/14, 2/37
07	Screw, 1/4 in., 28 UNF, hex. hd., 1/2 in. long		8	4/9, 4/15
08	Washer, spring, 1/4 in., s.c.		11	4/9, 4/15 3/Earthing at weld nuts
09	Screw, No 0 BA, hex. hd., 7/8 in. long		4	4/11
010	Washer, No 6 BA, plain, large		156	156/cableform
011	Washer, No 0 BA, plain, small		18	4/9, 4/15, 4/17 6/Earthing at weld nuts
012	Screw, No 4 BA, csk. hd., 3/8 in. long		4	4/88
013	Screw, No 2 BA, rd. hd., 3/4. in. long		4	4/16
014	Washer, No 2 BA, plain, small		4	4/16

Table 6 - (cont)

Ref	Description	Part No	Qty	Remarks
015	Washer, spring, No 2 BA, s.c.		4	4/16
016	Woodscrews, No 8, csk. hd., 1/2 in. long		6	4/36, 2/39
017	Washer, spring, 5/16 in., s.c.		4	2/1, 2/5
018	Woodscrew, No 4, rd. hd., 3/8 in. long		6	2/13, 2/18, 2/19
019	Screw, No 0 BA, csk. hd., 3/4 in. long		4	4/17
020	Stiffnut, No 0 BA, hex, thin		4	4/17
021	Screw, No 0 BA, hex. hd., 1/2 in. long		3	3/Earthing at weld nut
022	Screw, No 4 BA, ch. hd., 1 in. long		2	} 2/23
023	Stiffnut, No 4 BA, hex, thin		2	
024	Washer, No 4 BA, plain, small		2	
025	Screw, No 6 BA, rd. hd., 1/4 in. long		6	2/17, 4/16
026	Stiffnut, No 6 BA, hex, thin		4	4/26
027	Stiffnut, 1/2 in., 20, UNF, hex, ord		6	2/1, 2/5, 2/10

Table 7 - Details of station spares

Ref	Description	Part No	Qty	Remarks
1	Fuse, 15A	X2/5920-99-059-0123	6	) Stowed in drawer 1 or 2
2	Fuse, 10A	X2/5920-99-011-9925	6	
3	Fuse, 5A	X2/5920-99-059-0112	12	
4	Fuse, 3A	X2/5920-99-059-0111	10	
5	Fuse, 2A	X2/5920-99-059-0110	6	
6	Fuse, 1A	X2/5920-99-059-0109	6	
7	Fuse, 500mA	X2/5920-99-059-0108	6	
8	Fuse, 100mA	X2/5920-99-059-0139	6	
9	Fuse, 0.94A, 6.6kV max	Z1/ZA 54618	1	
10				
11				
12	Plug, 3-pole, 13A, w/o fuse	X2/5935-99-940-1682	3	) Stowed in drawer 1 or 2
13	Cell, dry, X, Mk 2	Y3/WB 0200	2	
14	Scissors, 9.1/2 in.	F1/FA 16702	1	
15	Spanner, adjustable, 6 in.	F1/FA 17002	1	
16	Screwdriver, 5 in.	F1/FA 16786	1	) Fitted to ref 12
17	Brass, free cutting, round	X2/XB 20689	3	
18				
19				
20				
21	Ribbon black	Y2/YB 03857	2	) Stowed in drawer 1 or 2
22	Stroboscope, No 2	Y2/YB 02401	1	
23	Brush, typehead, No 1	Y2/YB 02294	1	

Table 7 - (cont)

Ref	Description	Part No	Qty	Remarks	
24	Handbook, teleprinter, No 7 (WD)	Code No 1637	1	) Stowed in drawer 1 or 2	
25	Chart, T/P lubrication, No 578		1		
26	Paper, T/P sprocket feed, 3 part	Y2/YB 03325	10	) Stowed in cupboard	
27	Paper, duplicator, 2 ply or 3 ply	Y2/YB 04124) Y2/YB 04123)	5		
28	Cover, teleprinter, No 1	Y2/YB 02204	1		
29	Teleprinter, essential spares		1 set	Stowed in drawer 1 or 2 See Table 8	
30					
31	Lamp, 24V, 20W, s.b.c., clear	X2/6240-99-995-3218	4	) Stowed in drawer 3	
32	Lamp, 24V, 2.8W, s.b.c., clear	X2/6240-99-995-1230	3		
33	Lamp, 8V, 1.6W, m.e.s., clear	Y3/6240-99-995-1201	4		
34	Lamp, 6V, 0.36W, m.e.s., clear	Y2/6240-99-995-1112	4		
35	Lamp, neon, s.e.s., E14, 0.2W	Z3/6240-99-995-2106	1		
36	Lamp, neon, s.e.s., 0.5W	Y3/6240-99-995-2105	3		
37	Lamp, clear, 4V, 0.8A, m.e.s., clear	X2/6240-99-995-1299	1		
38	Valve, CV5083 or Valve, CV284	Z/5960-99-000-5083) Z/5960-99-000-0284)	1		) Transmitter
39	Valve, CV717	Z/5960-99-000-0717	1		) Transmitter or Transmitter P.U.)
40	Valve, CV1835	Z/5960-99-000-1835	2		) Transmitter
41	Valve, CV2130	Z/5960-99-000-2130	1	)	

Table 7 - (cont)

Ref	Description	Part No	Qty	Remarks
42	Valve, CV2134	Z/5960-99-000-2134	1	) ) Transmitter ) ) ) ) ) ) ) ) ) ) ) ) ) ) ) ) ) ) All stowed in drawer 3
43	Valve, CV2209	Z/5960-99-000-2209	1	
44	Valve, CV2235	Z/5960-99-000-2235	1	
45	Valve, CV2797	Z/5960-99-000-2797	1	
46	Valve, CV4007 or Valve, CV283	Z/5960-99-000-4007 ) Z/5960-99-000-0283 )	2	
47	Valve, CV4009 or Valve, CV454	Z/5960-99-000-4009 ) Z/5960-99-000-0454 )	6	
48	Valve, CV4010 or Valve, CV850	Z/5960-99-000-4010 ) Z/5960-99-000-0850 )	2	
49	Valve, CV4012	Z/5960-99-000-4012	1	
50	Valve, CV4014 or Valve, CV138	Z/5960-99-000-4014 ) Z/5960-99-000-0138 )	6	
51	Valve, CV4020 or Valve, CV2903 or Valve, CV1832	Z/5960-99-000-4020 ) Z/5960-99-000-2903 ) Z/5960-99-000-1832 )	2	
52	Valve, CV4024 or Valve, CV455	Z/5960-99-000-4024 ) Z/5960-99-000-0455 )	6	
53	Valve, CV4025 or Valve, CV140	Z/5960-99-000-4025 ) Z/5960-99-000-0140 )	1	
54	Valve, CV4039	Z/5960-99-000-4039	2	Transmitter or receiver
55	Valve, CV4055	Z/5960-99-000-4055	1	Transmitter or Transmitter P.U. )
56				
57	Cathode ray tube, DG 7-6	Z1/ZA 52568	1	) ) Stowed in cupboard ) )
58	Cathode ray tube, CV2302	Z/5960-99-000-2320	1	
59				
60	Microphone, SI, No 1A and harness, or Microphone, SI, No 6 and harness	Y1/YA 10463 ) Y1/YA 11382 )	2	) ) 1 - Remote control unit ) ) 1 - stowed drawer No 4 ) )

Table 7 - (cont)

Ref	Description	Part No	Qty	Remarks
61	Receiver headgear, SI, double, No 1A	Y1/YA 9595	2	1 - stowed drawer No 4 1 - remote control unit
62	Tape, measuring, 50 ft	W10/VC 2290	1	) Stowed in drawer 4 )
63	Plug, shorting		1	
64	Telephone, hand, SI, remote control, No 1	Y1/YA 9311	1	
65	Cell, secondary, portable (Electric lantern)	Z9/ZB 1010	2	

Table 8 - Teleprinter essential spares

Item	Catalogue No	Designation	Qty
1	YB/M31 1910/27A	Arms, contact, sub - complete part	1
2	YB/M31 1822/111	Arms, locking bar, complete part 1	1
3	YB/M31 1822/112	Arms, trip bar, complete part	1
4	YB/M31 1825/94	Arms, weight lifting, complete part	1
5	YB/M31 RL1058	Bearing, roller (for retention lever C.P. 1830/138)	1
6	YB/M31 1910/52	Blades, contact, complete part	2
7	YB/M31 AA2/3	Brushes, motor, complete part	4
8	YB/M31 PC2504A	Brushes, governor, complete part	2
9	YB/M31 860/184	Caps, key button	5
10	YB/M31 1841/11	Discs, coupling, fibre	2
11	YB/M31 860/185	Glasses, key button	5
12	YB/M31 1838/41B	Jumpers, ribbon	1
13	YB/M31 1831/178	Knobs, platen	1
14	YB/M31 1826/97B	Linings, clutch	1
15	YB/M31 1825/29	Links, starter weight	1
16	YB/M31 PP8552	Pins, No 18	1
17	YB/M31 2184/38	Pivots, striker	1
18	YB/M31 1831/166	Plates, buffer, No 1	1
		Rings, locking, steel -	
19	YB/M31 23955A	3/32 in. i.d. x 3/16 in. o.d. x 1/16 in. thick	2
20	YB/M31 23956A	1/8 in. i.d. x 1/4 in. o.d. x 5/64 in. thick	2
21	YB/M31 23958A	3/16 in. i.d. x 3/8 in. o.d. x 1/8 in. thick	1

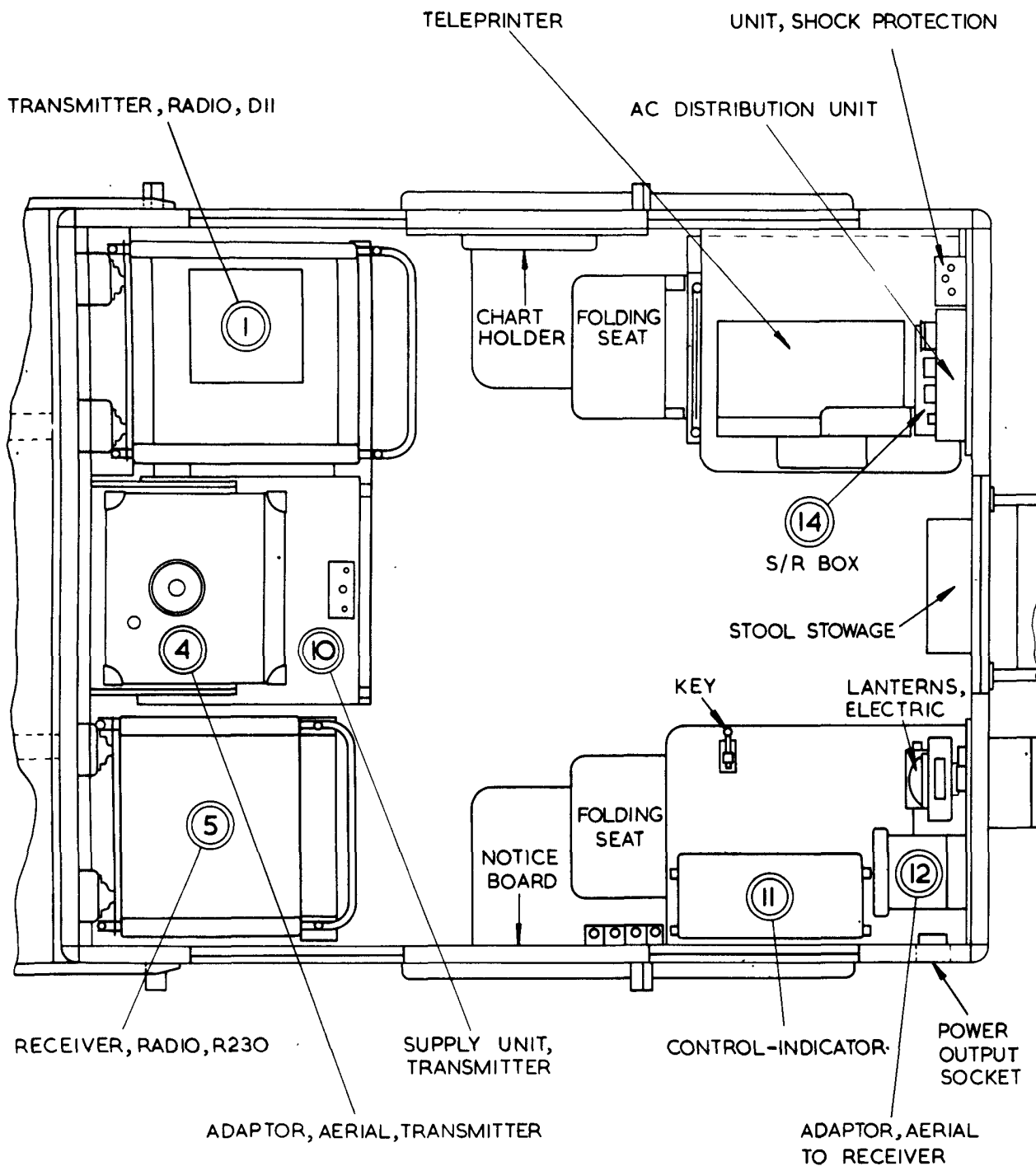
Table 8 - (cont)

Item	Catalogue No	Designation	Qty
22	YB/M31 RL1002	Rollers, cam, No 1	1
23	YB/M31 RL1027	Rollers, cam, No 2	1
24	YB/M31 RL1008	Rollers, cam, No 3	1
25	YB/M31 1821/19	Rollers, jockey, complete part	1
26	YB/M31 1910/26	Saddles, contact arm	1
		Screws -	
27	YB/M31 PS2491-1	BA, steel, ch. hd., No 8, 11/32 in., threaded 1/4 in. cadmium plated, dull	1
28	YB/M31 PC3006	Contact	2
29	YB/M31 PS5505	Special, BA, c.s., hex. hd., No 10, shouldered, threaded 3/32 in.	1
30	YB/M31 PS5708	Special, BA, m.s., cap. hd., No 6 x 1/4 in., cadmium plated, dull	1
31	YB/M31 PS5560	Special, BA, steel, ch. hd., No 4 x 61/64 in. overall, threaded 5/16 in., cadmium plated, dull	2
32	YB/M31 1825/22A	Spindles, main shaft worm	1
		Springs -	
33	YB/M31 1826/65A	Clutch, inner	1
34	YB/M31 1826/64	Clutch, outer	1
35	YB/M31 PG5055	Helical, compression, steel, 6 turns, 0.365 in. o.d. x 0.5 in. free length, 27 m.w.g.	2
36	YB/M31 PG5009	Helical, compression, steel, 9 turns, 11/64 in. o.d. x 31/64 in. free length, 8 m.w.g.	1
37	YB/M31 PG7118	Helical, tension, nickel silver, 105 turns, 5/64 in. o.d. 31/32 in. inside loops, ring ends, 35 s.w.g.	1
38	YB/M31 PG7046	Helical, tension, steel, 22 turns, 0.182 in. o.d. x 0.906 in. inside loops, ring ends, 11 m.w.g.	1
39	YB/M31 PG7036	Helical, tension, steel, 27 turns, 5/32 in. o.d. x 11/64 in. inside hooks, hook ends, 10 m.w.g.	1
40	YB/M31 PG7166	Helical, tension, steel, 27 turns, 0.17 in. o.d. x 1.125 in. inside hooks, hook ends, 7 m.w.g.	4
41	YB/M31 PG7051	Helical, tension, steel, 33 turns, 3/32 in. o.d. x 17/32 in. inside loops, ring ends, 2 m.w.g.	2
42	YB/M31 PG7072	Helical, tension, steel, 41 turns, 1/8 in. o.d. x 13/16 in. inside loops, ring ends, 5 m.w.g.	2
43	YB/M31 PG7084	Helical, tension, steel, 48 turns, 5/32 in. o.d. x 1.1/16 in. inside loops, ring ends, 6 m.w.g.	1



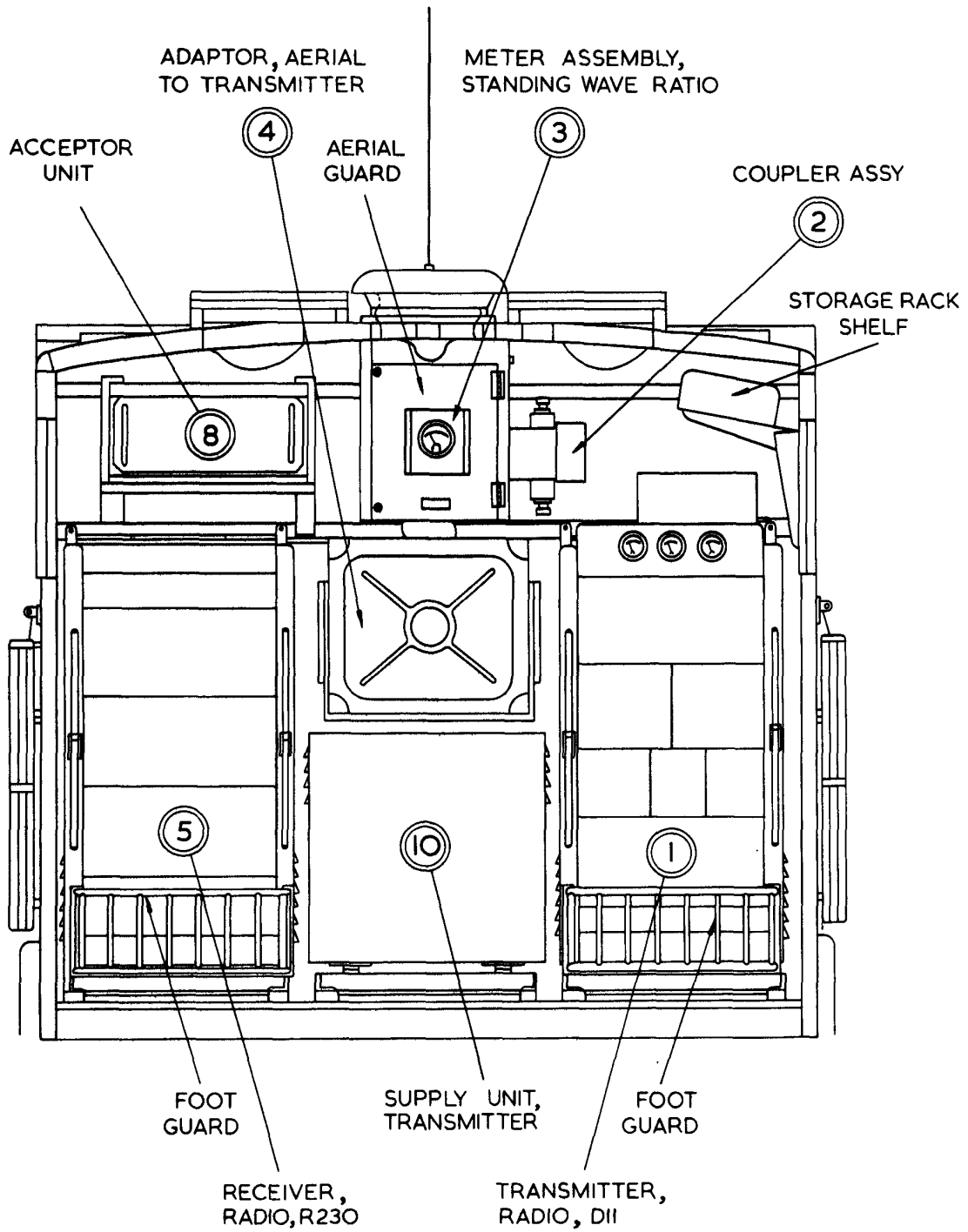
Table 8 - (cont)

Item	Catalogue No	Designation	Qty
		Springs (cont) -	
44	YB/M31 PG7053	Helical, tension, steel, 51 turns, 0.120 in. o.d. x 1.031 in. inside loops, ring ends, 6 m.w.g.	1
45	YB/M31 PG7039	Helical, tension, steel, 54 turns, 3/32 in. o.d. x 21/32 in. inside loops, rings 1/0 m.w.g.	1
46	YB/M31 PG7038	Helical, tension, steel, 56 turns, 3/32 in. o.d. x 39/64 in. inside loops, ring ends, 2/0 m.w.g.	1
47	YB/M31 PG7167	Helical, tension, steel, 57 turns, 0.123 in. o.d. x 1.125 in. inside loops, ring ends, 6 m.w.g.	1
48	YB/M31 PG 7034	Helical, tension, steel, 73 turns, 0.09 in. x 0.0781 in. inside loops, ring ends, 2/0 m.w.g.	1
49	YB/M31 PG2010A	Helical, tension, leaf bent, spring steel, 2.35/64 in. x 1/4 in. x 1/4 in. 28 s.w.g.	1
50	YB/M31 PG2021A	Helical, tension, leaf bent, nickel silver, 2.312 in. x 0.25 in. x 0.12 in.	2
51	YB/M31 PG3029	Key bars	2
52	YB/M31 1830/136	Retaining roller bearing	1
53	YB/M31 1826/54B	Stops, type, complete part	1
54	YB/M31 2184/28	Tongues, transmitting, complete part, No 1	1
55	YB 08726	Washers, BA, spring, steel, single coil (light) No 8, 1/64 in.	1
56	ZB 11409	Screw, BA, steel, ch. hd., No 8 x 5/32 in., rustproof	1
57	ZB 11411	Nut, BA, m.s., hex., No 10, rustproof	1
58	LV6/MT7 32577	Bearing, ball, journal, mag. type metric sizes 5 x 16 x 5 (less outer race)	2



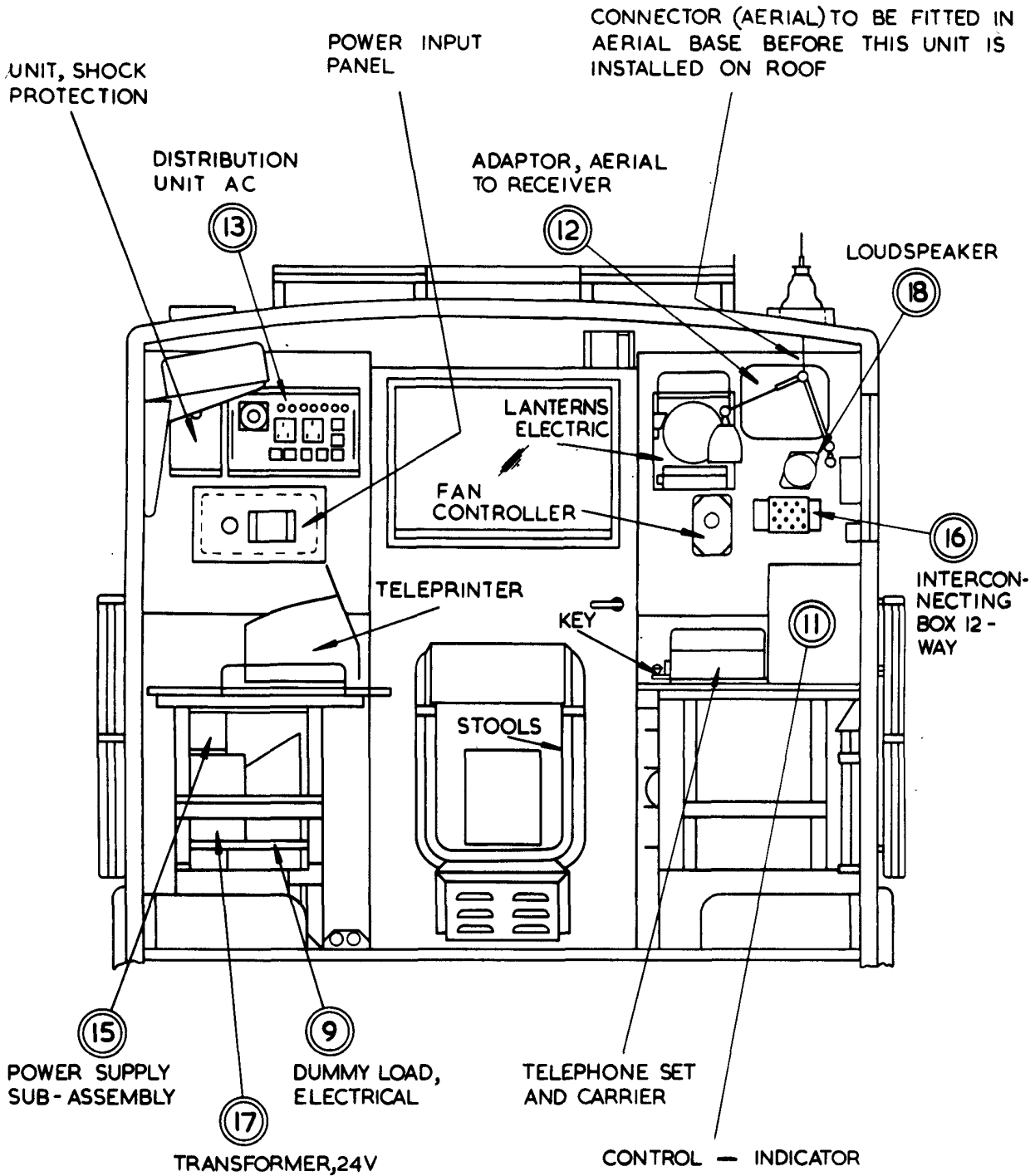
C Q11511  
1-1 1381/1

Fig 1 - Plan view of installation



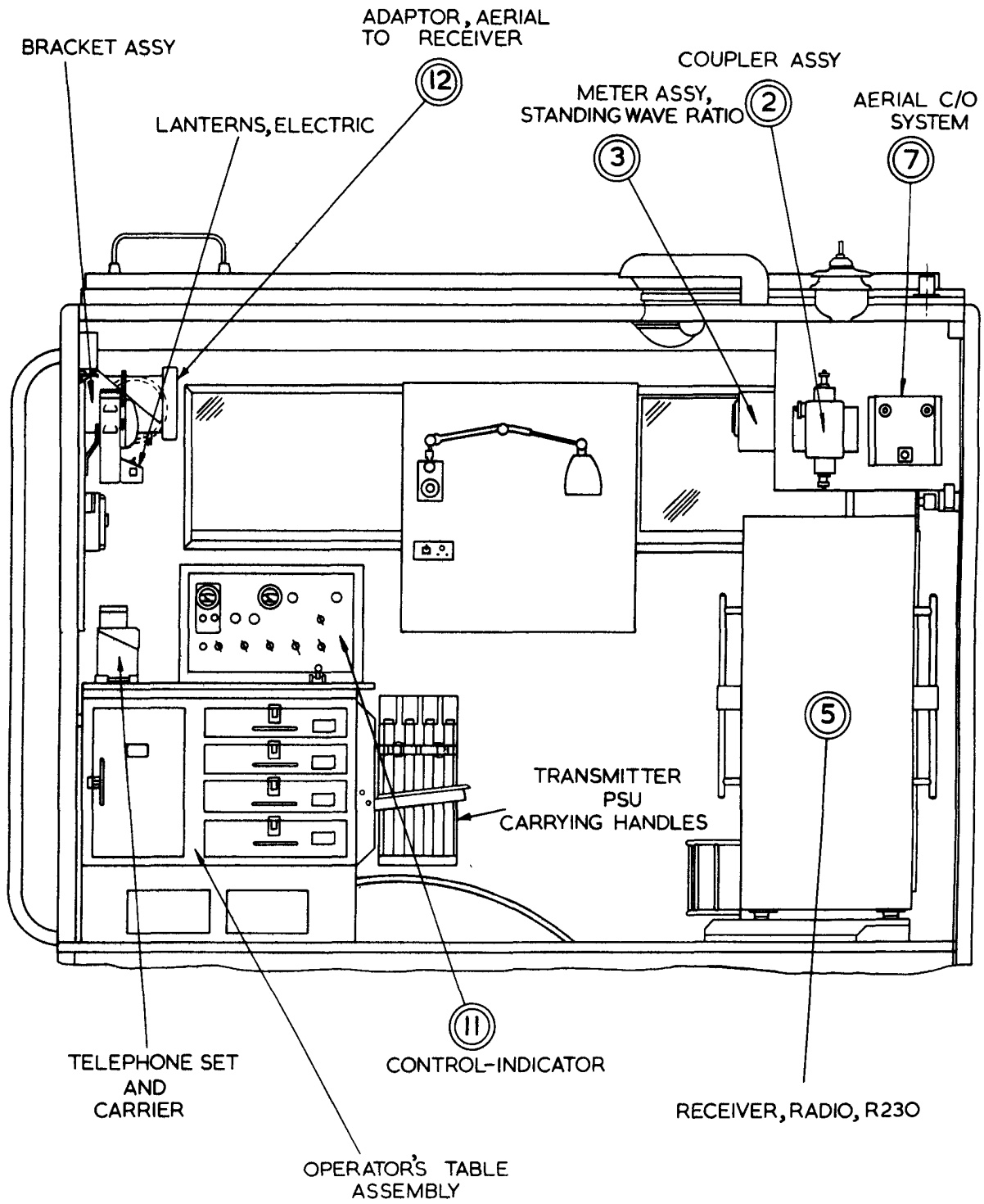
C  $\frac{Q11511}{T-2}$  1301/2

Fig 2 - Installation detail front bulkhead



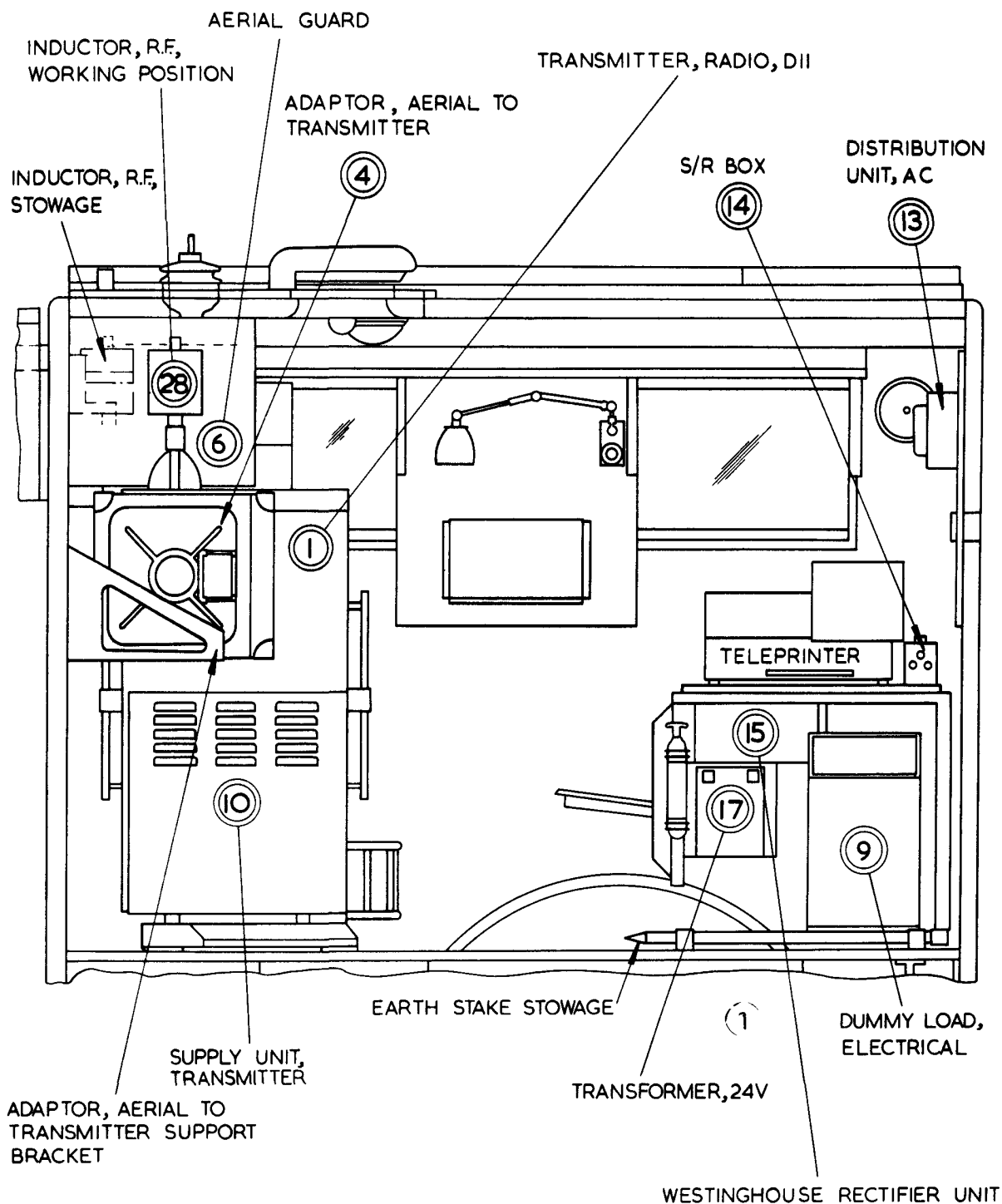
C Q115I1  
1-3 1381/3

Fig 3 - Installation detail read bulkhead



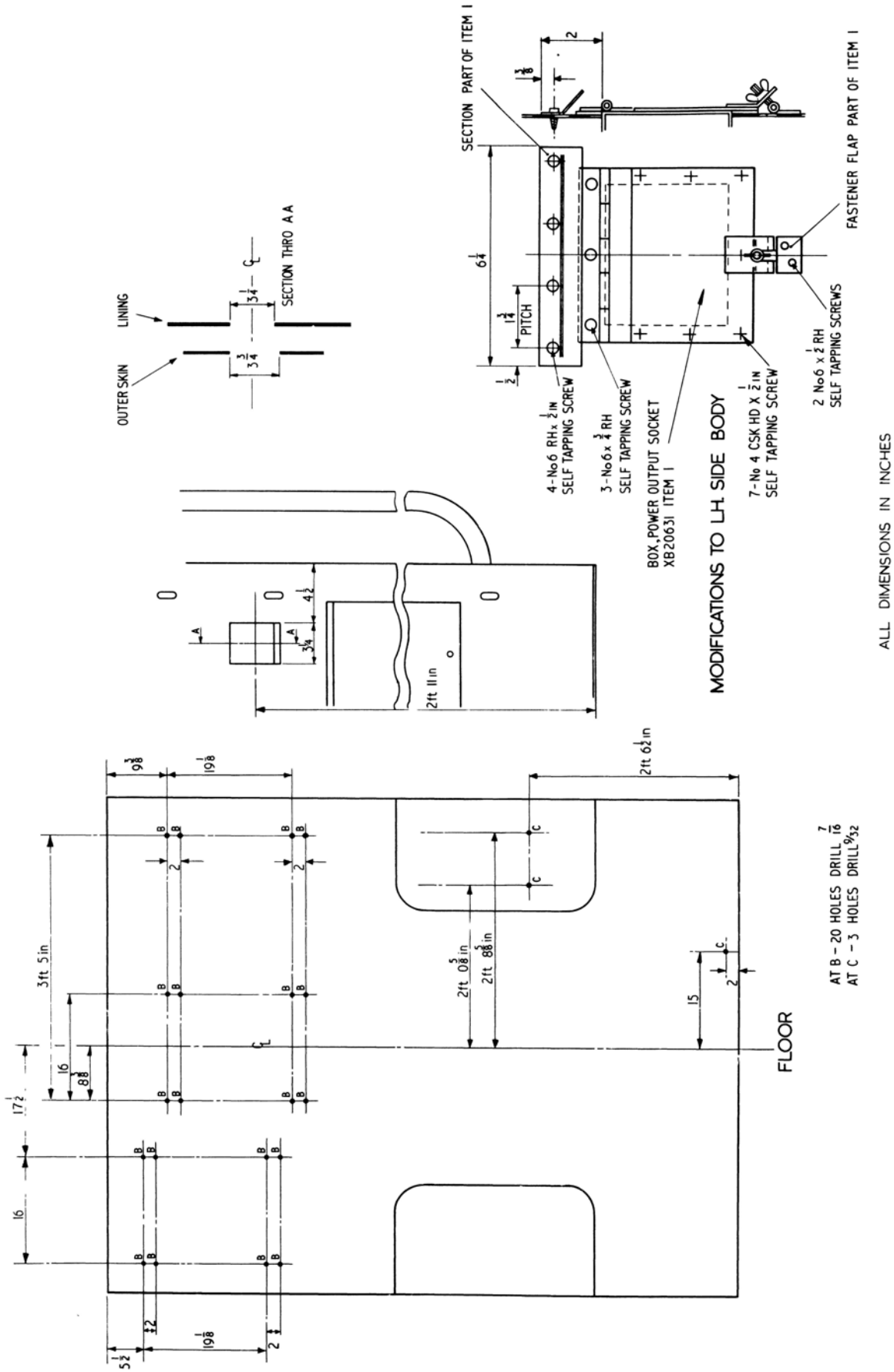
C Q115II  
1-4 1381/4

Fig 4 - Installation detail left-hand wall



C Q115II  
1-5 1381/5

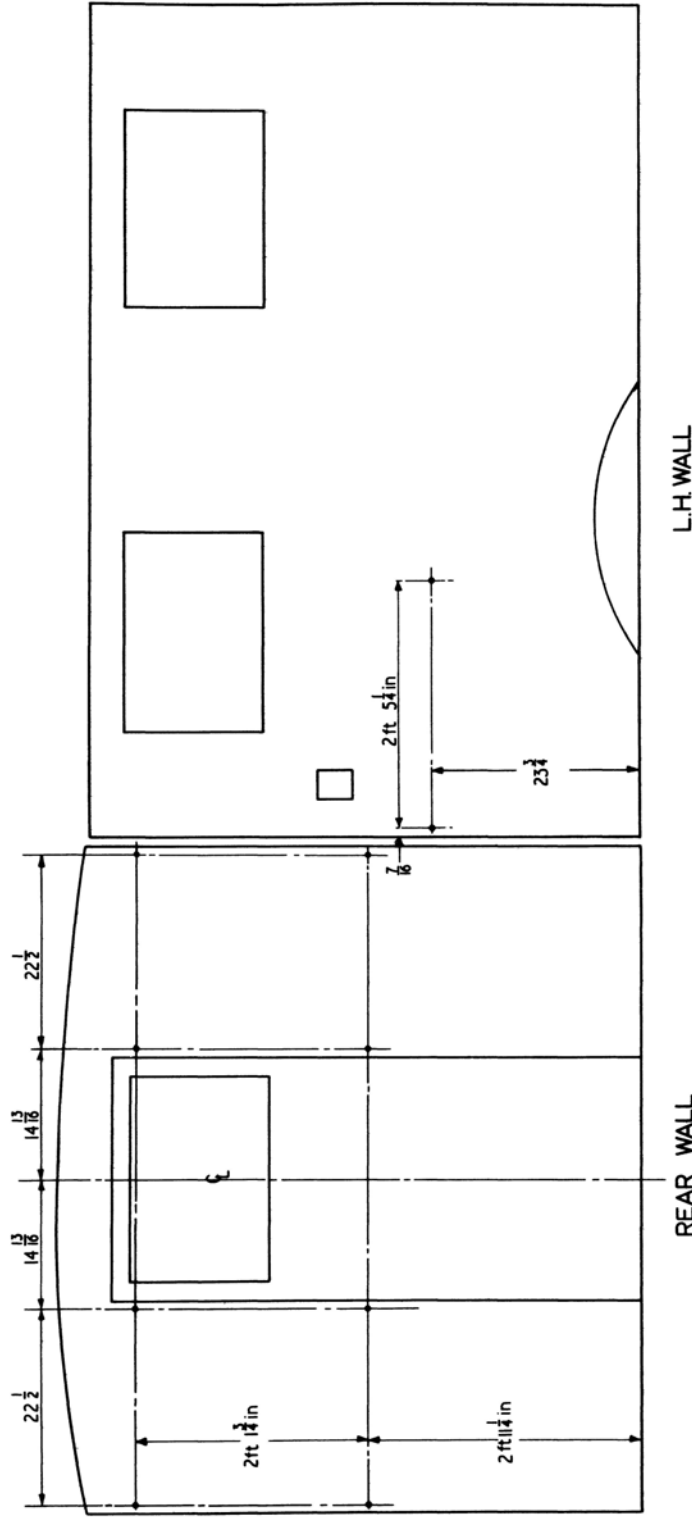
Fig 5 - Installation detail right-hand wall



AT B - 20 HOLES DRILL  $\frac{7}{16}$   
AT C - 3 HOLES DRILL  $\frac{9}{32}$

C Q115 II  
1--6 | 1381/6

Fig 6 - Modification to floor and l.h. side of body



DRILL HOLES  $\frac{1}{2}$  DIA

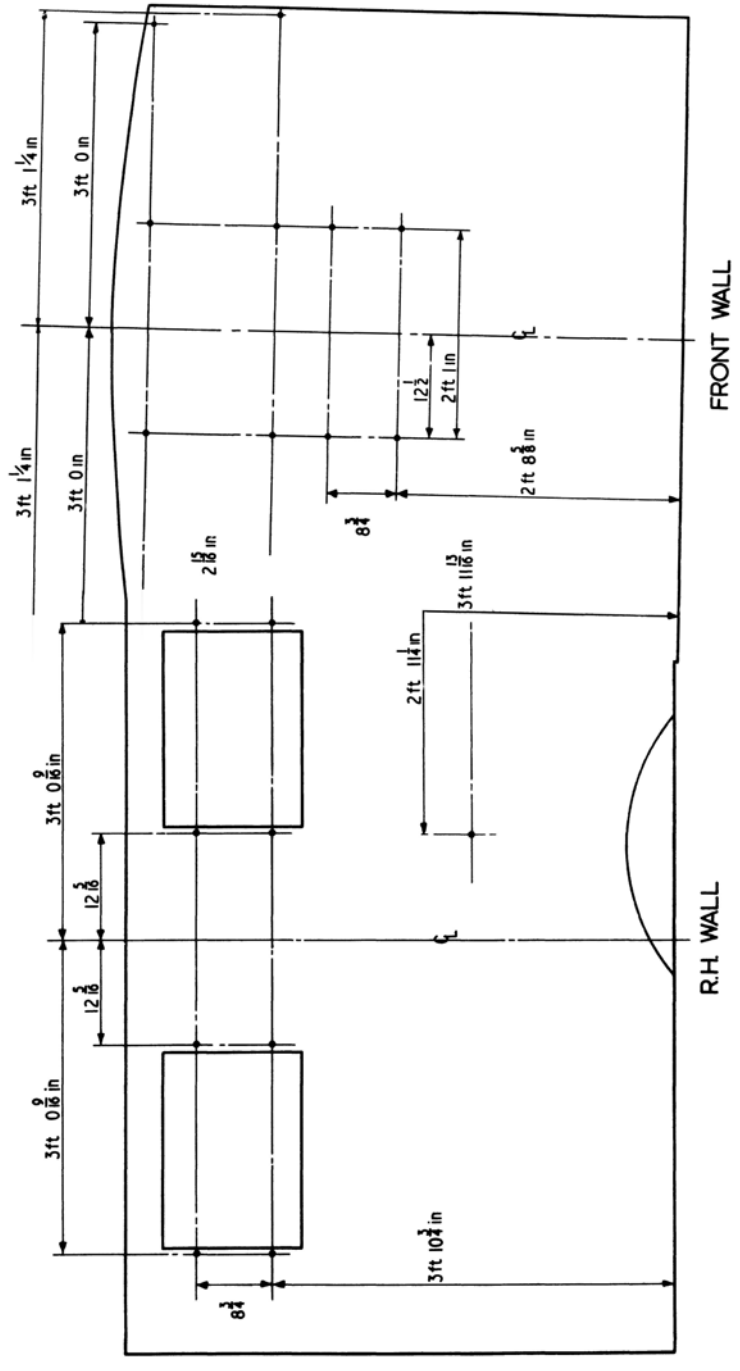
ALL DIMENSIONS IN INCHES

**CQ1151**  
1-7a 138/7

DWG. NO. WAS 7700 a  
(AMENDED MAR. 62.)

Fig 7a - Drilling details l.h. wall, rear bulkhead



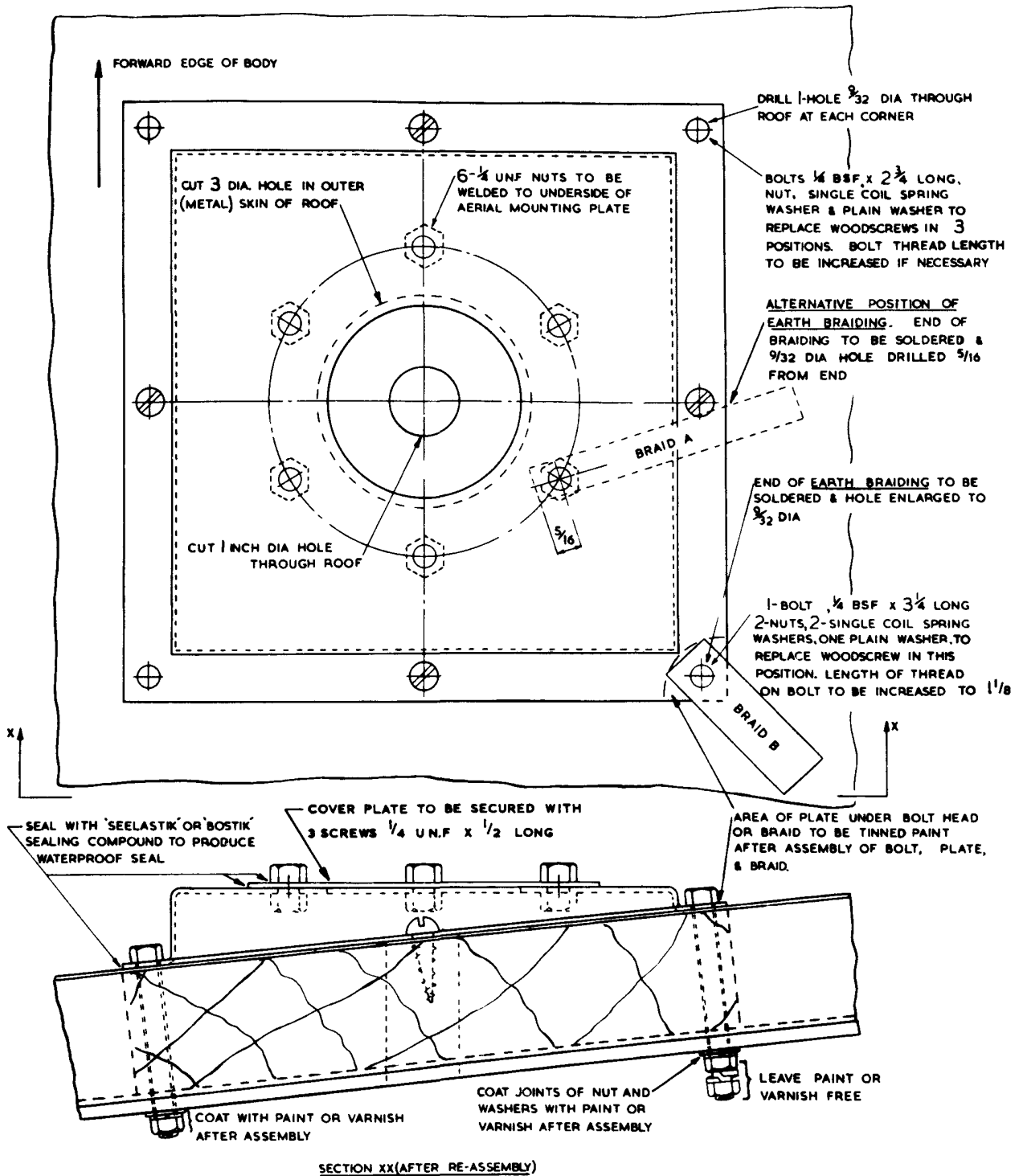


ALL DIMENSIONS IN INCHES

DRILL 22 HOLES 1/32 DIA

**C** 011511  
T-7b 1381/21

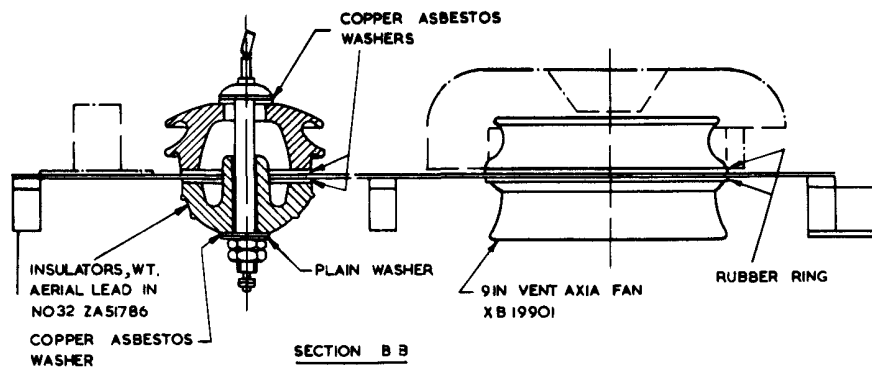
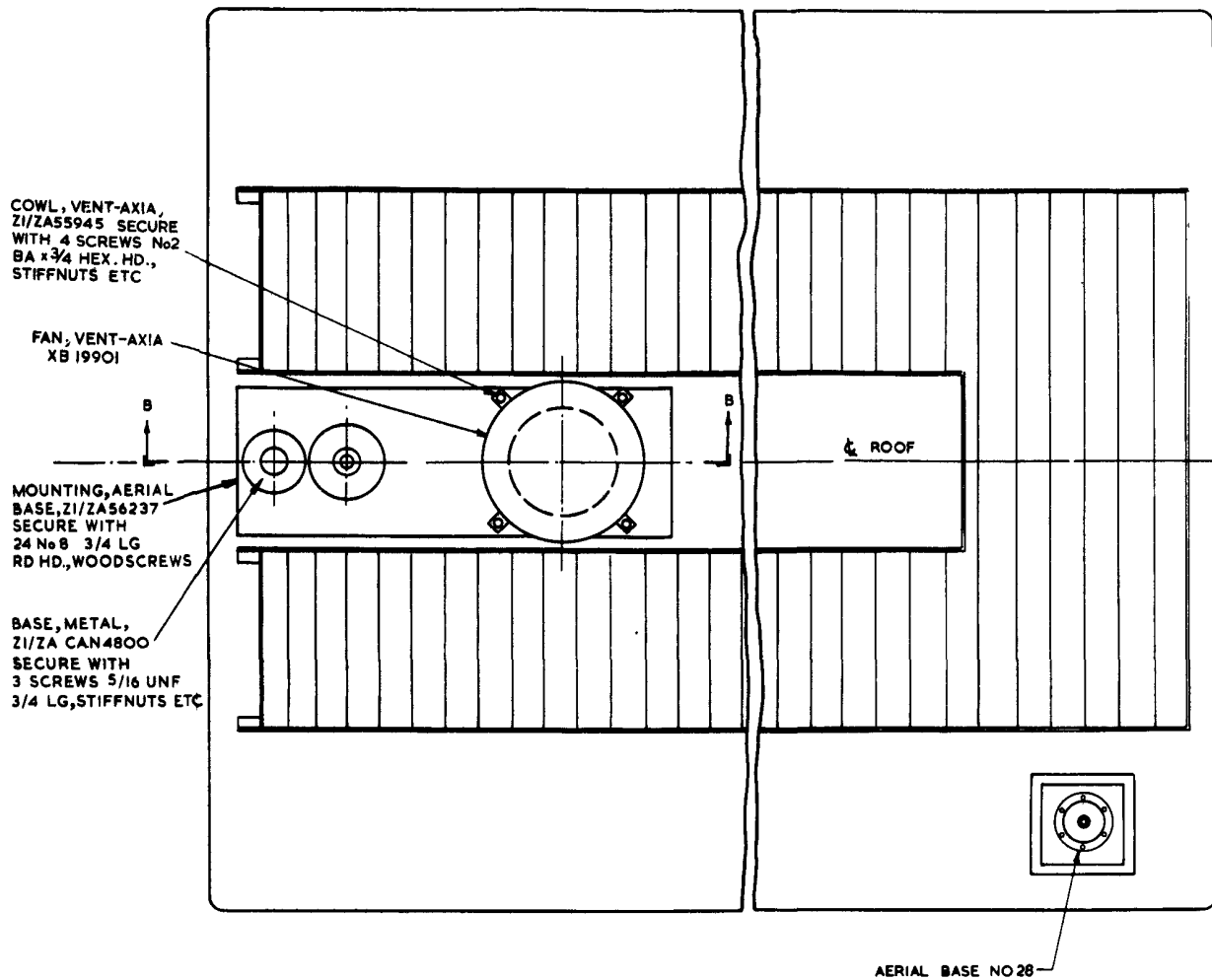
Fig 7b - Drilling detail front bulkhead



**C Q115II**  
**1-8** 1381/8

ALL DIMENSIONS AND SIZES  
ARE IN INCHES.

Fig 8 - Modification to roof and assembly details l.h. rear corner  
aerial base mounting



Q 11511  
1-9 1381/9  
ALT ①

Fig 9 - Roof assembly details

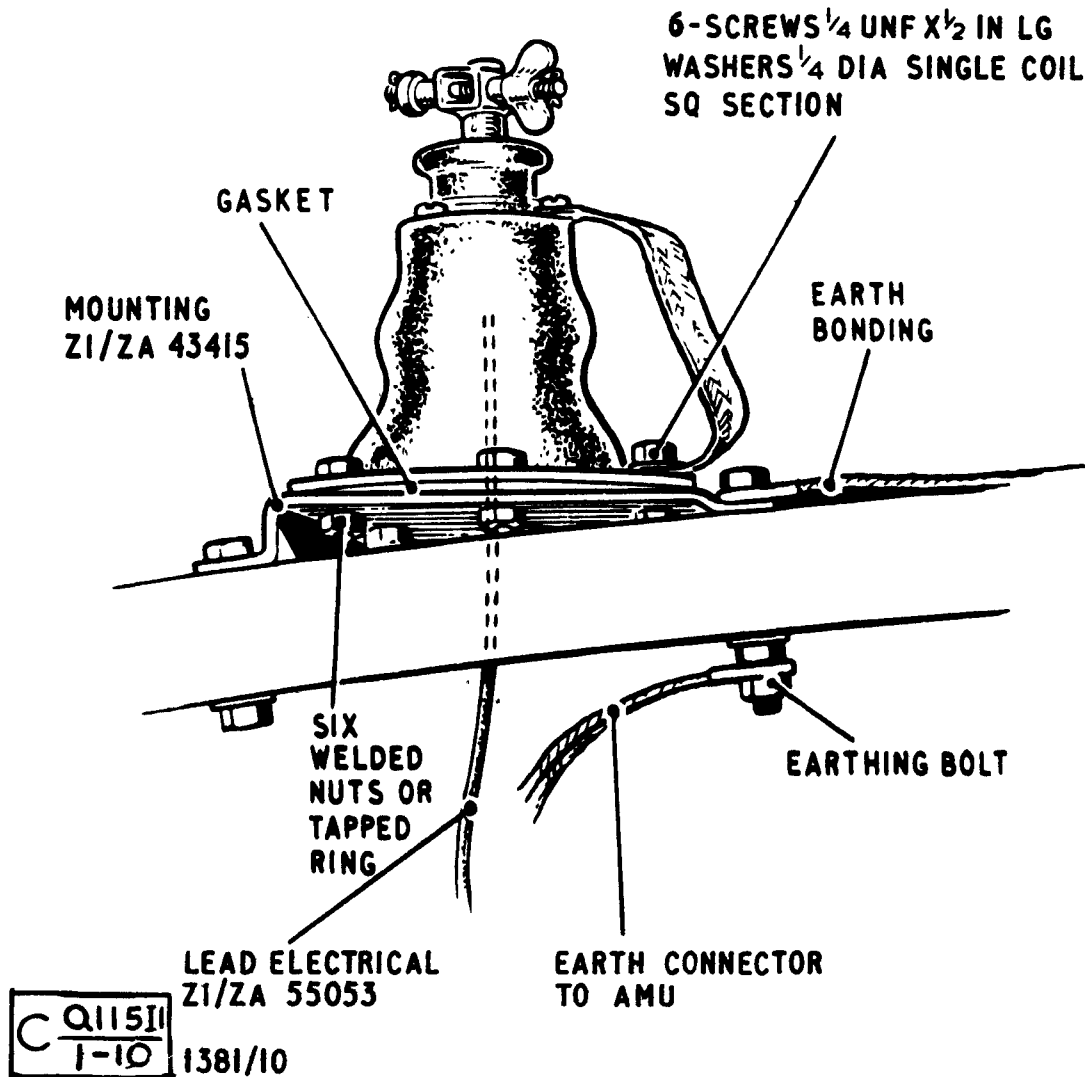
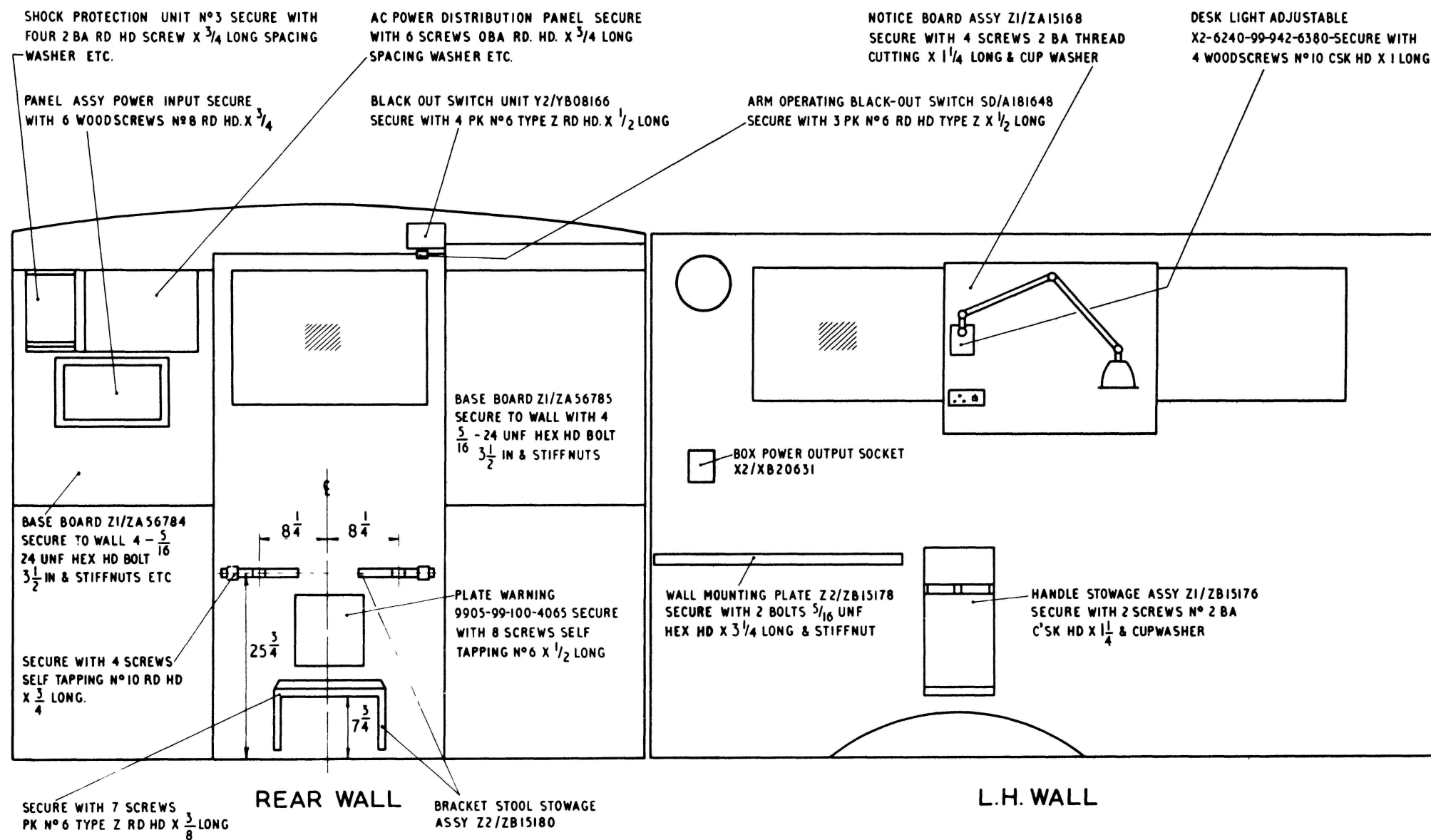
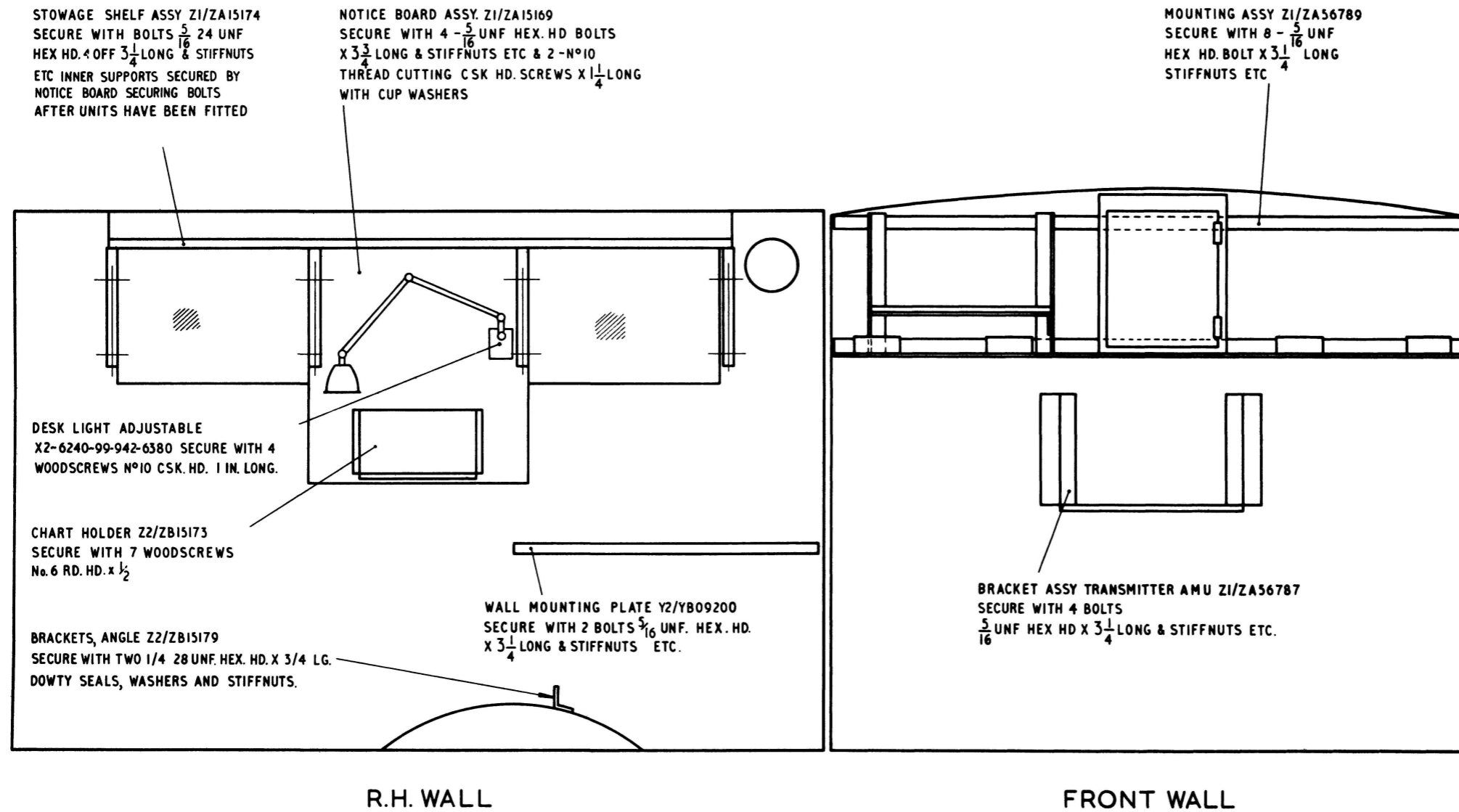


Fig 10 - Aerial base No 28 mounting details



C Q11511  
1-11a 1381/11

Fig 11a - Installation kit assembly details l.h. wall, rear bulkhead



C011511  
I-11b 1381/19

ALL DIMENSIONS IN INCHES.

Fig 11b - Installation kit assembly details r.h. wall, front bulkhead

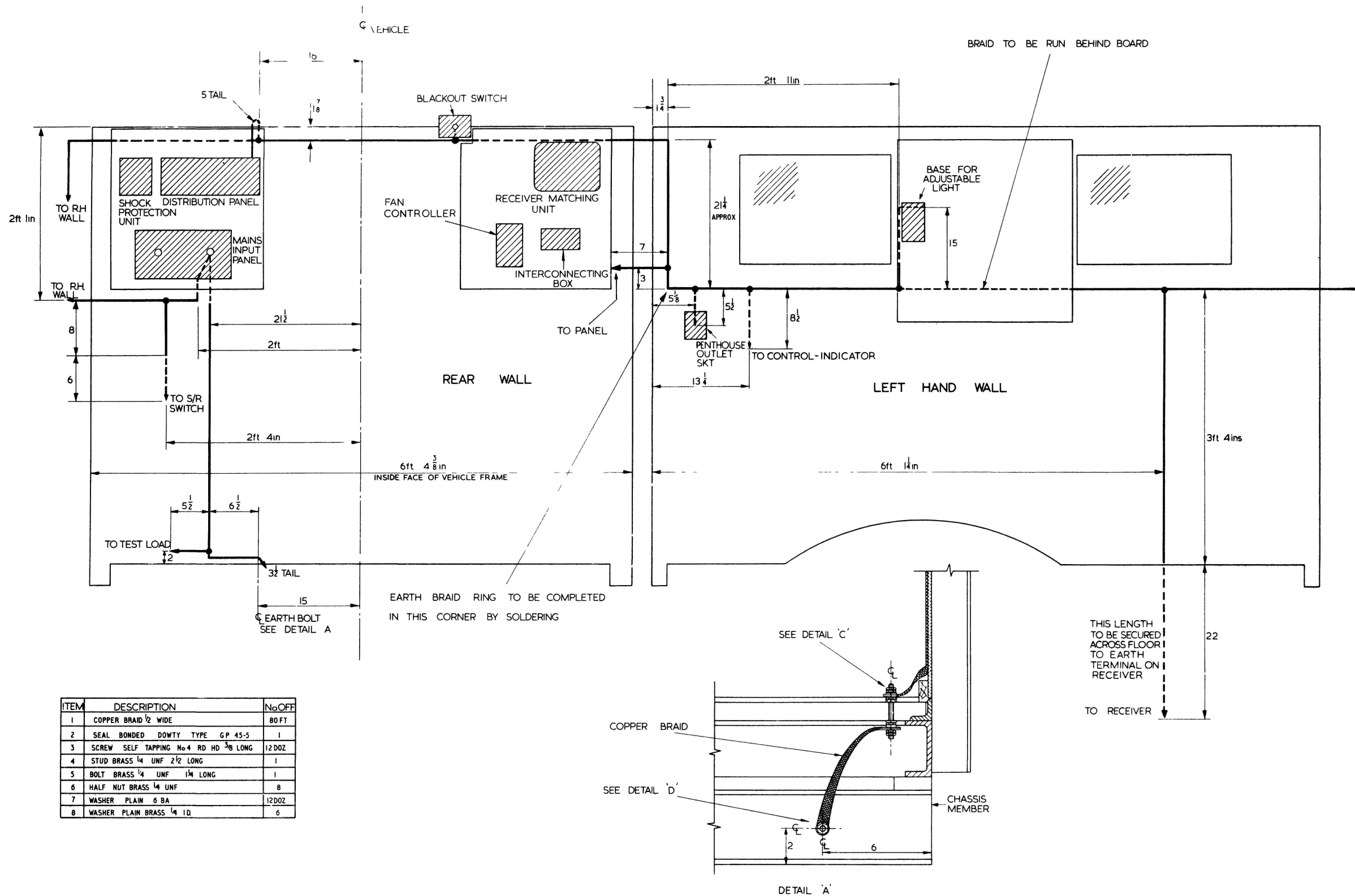
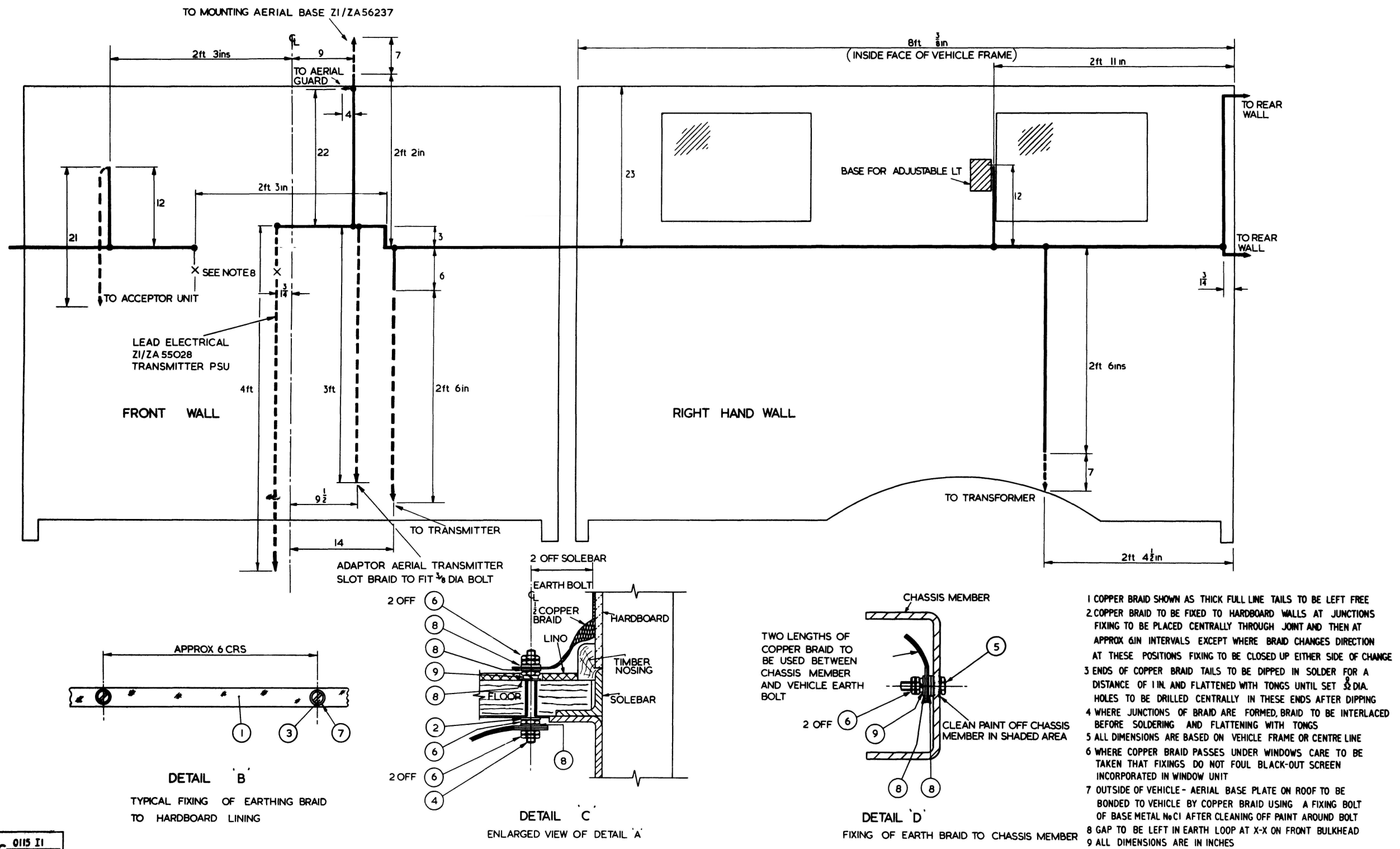


Fig 12a - Earthing braid installation



C 0115 I1  
1 - 12b  
138/20

Fig 12b - Earthing braid installation



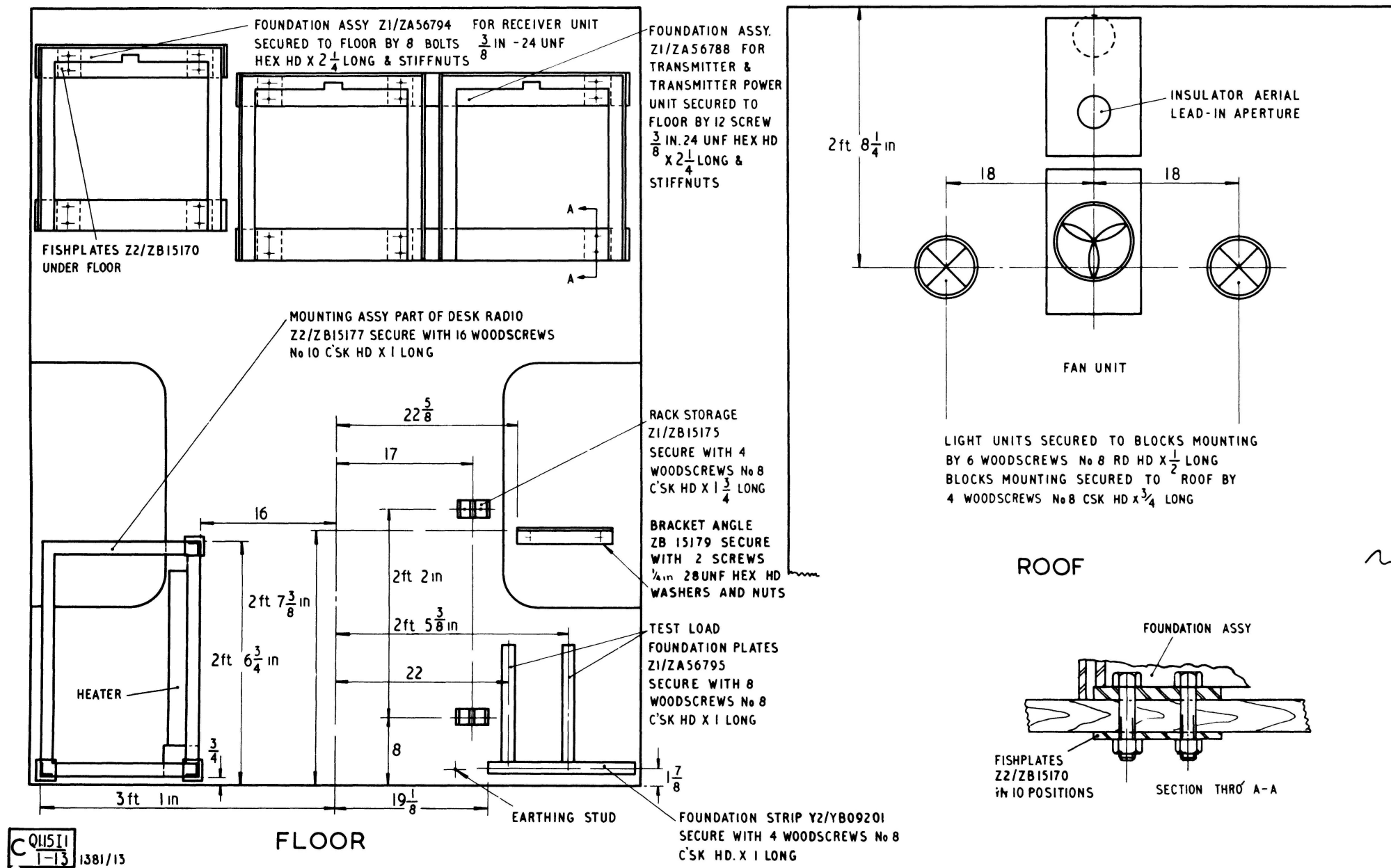


Fig 13 - Installation kit assembly details, floor and roof

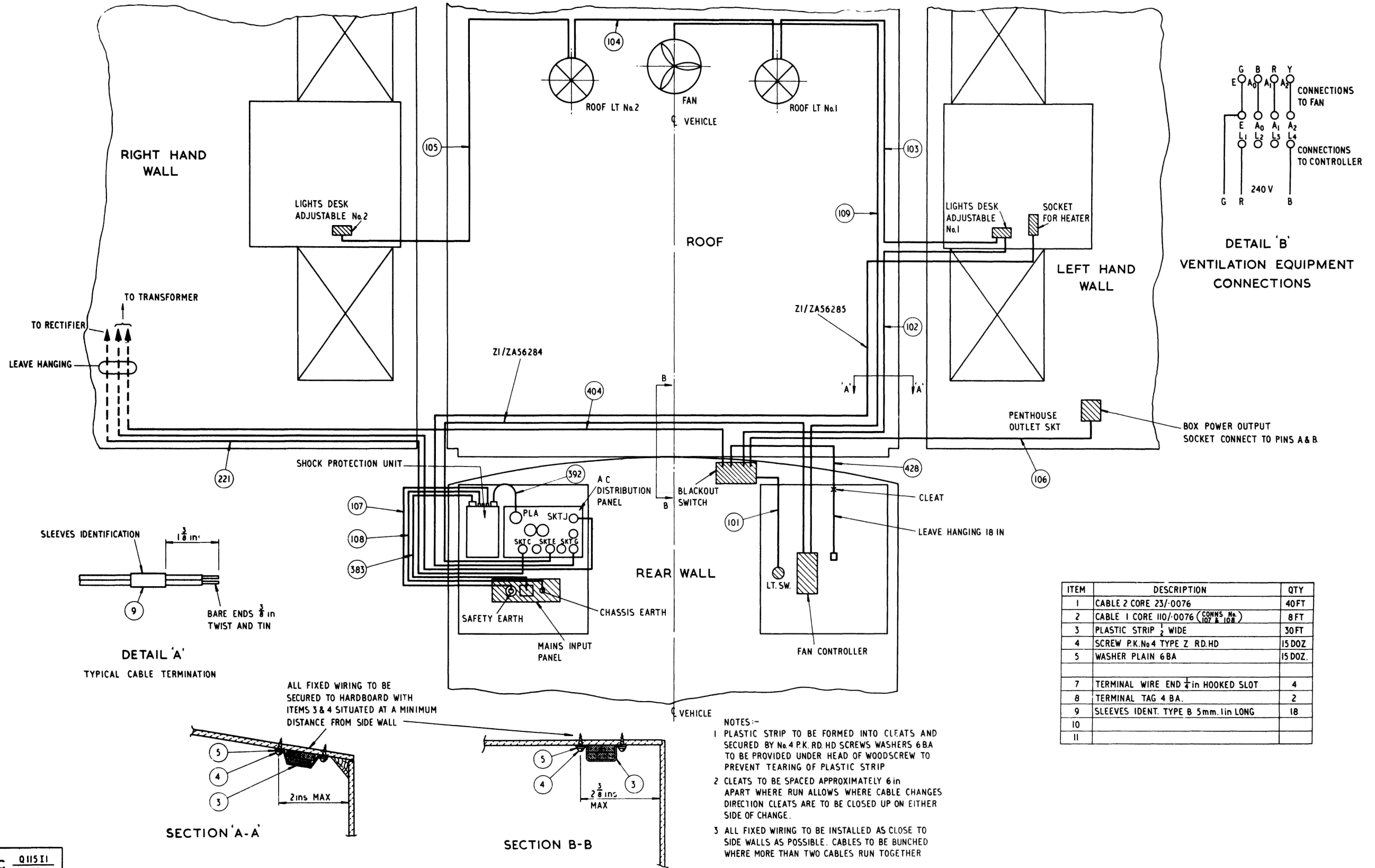
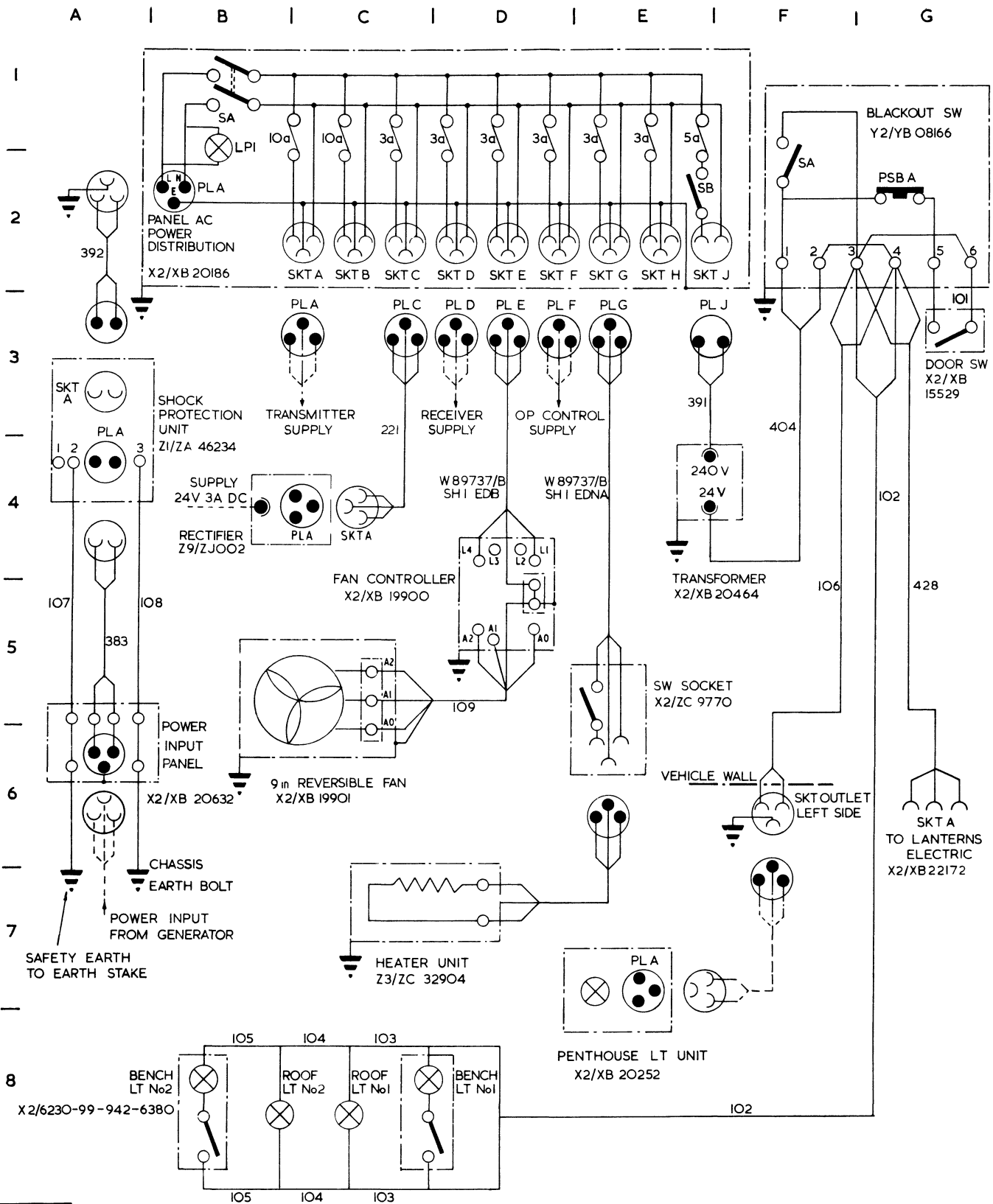


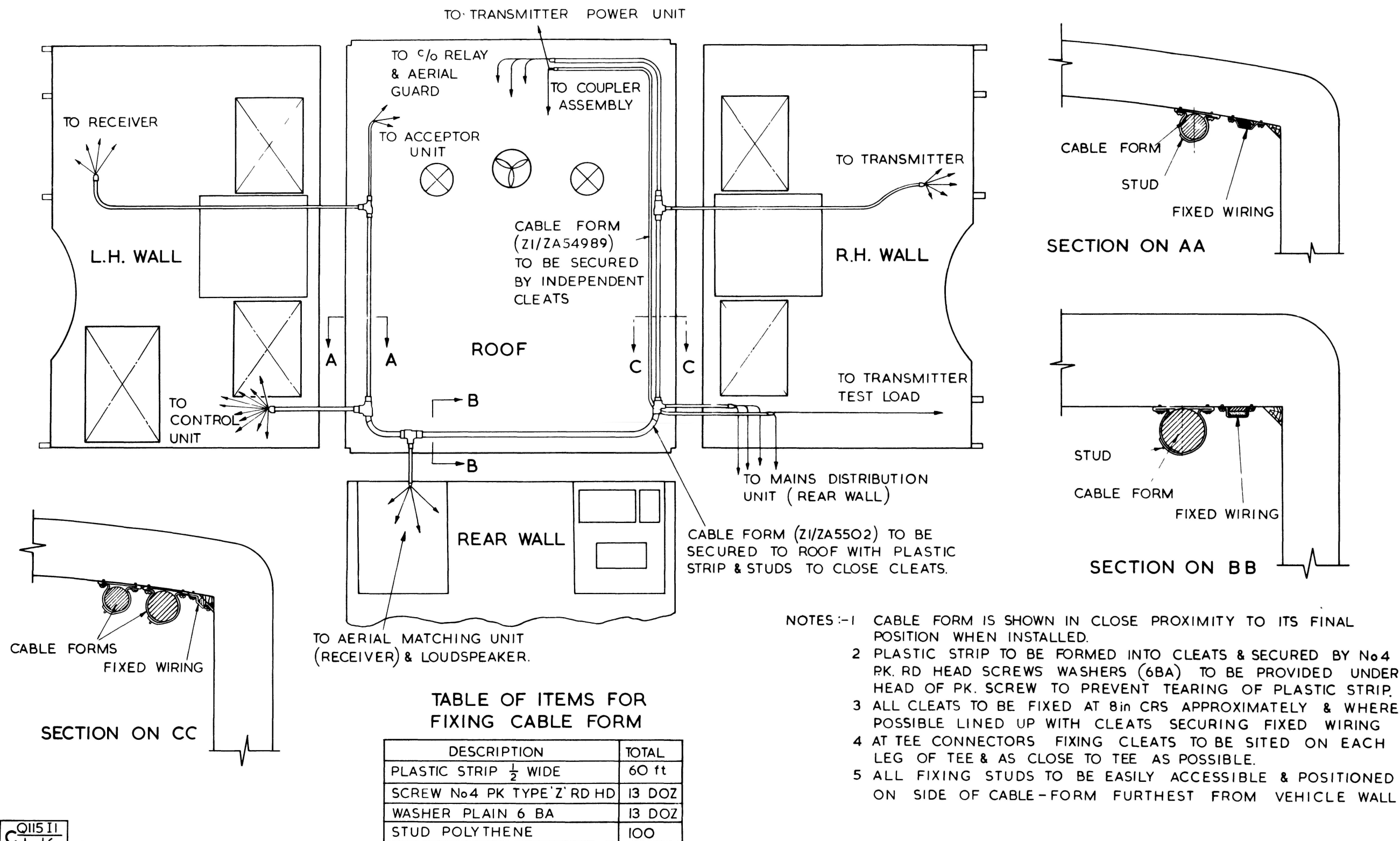
Fig 14 - Lighting and heating - fixed wiring

C Q115 I1  
1-14 1381/14



C Q1151  
1-15 1381/15

Fig 15 - Fixed wiring - wiring diagram



Q115 I1  
C 1-16 1381/16

Fig 16 - Main cableform installation detail

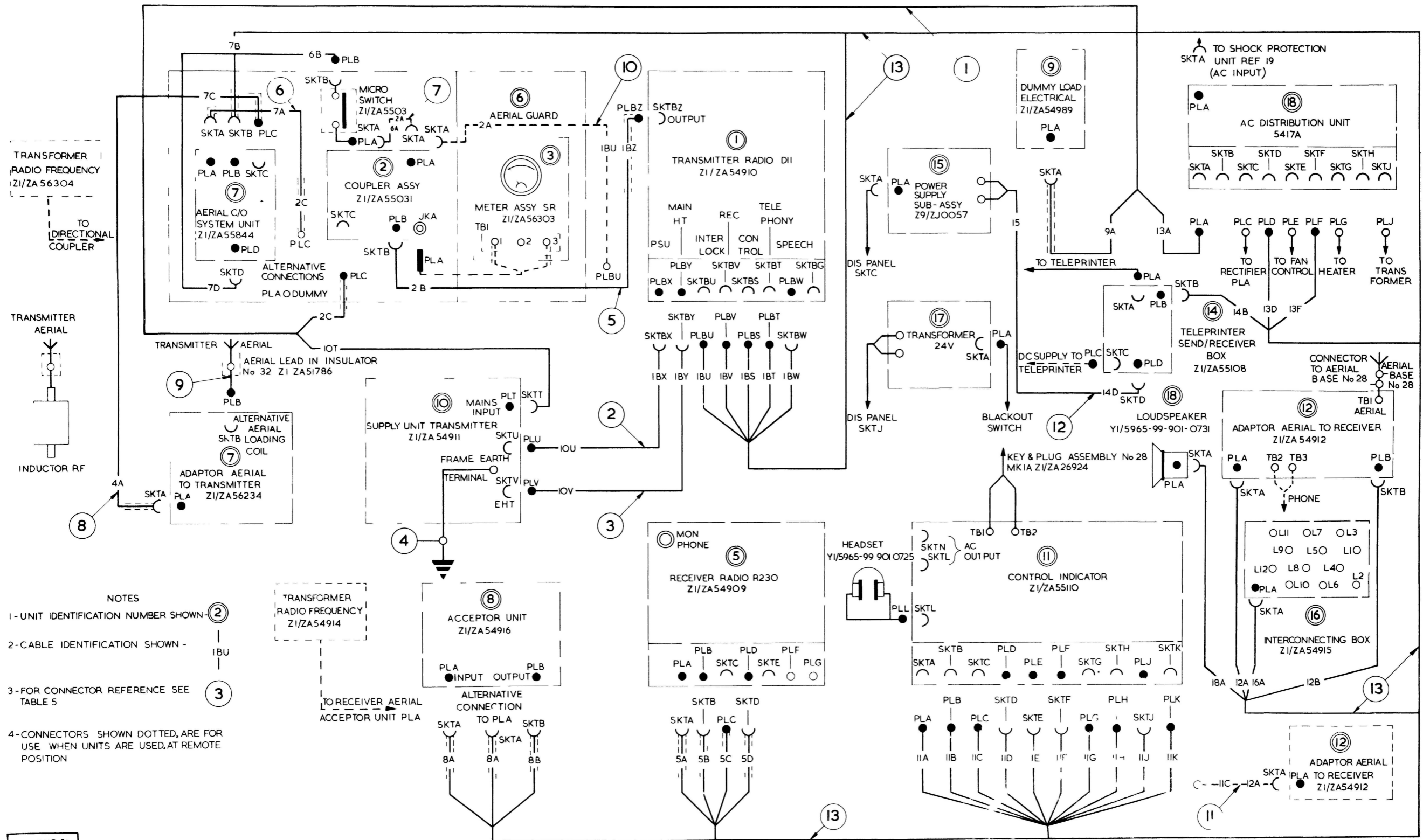
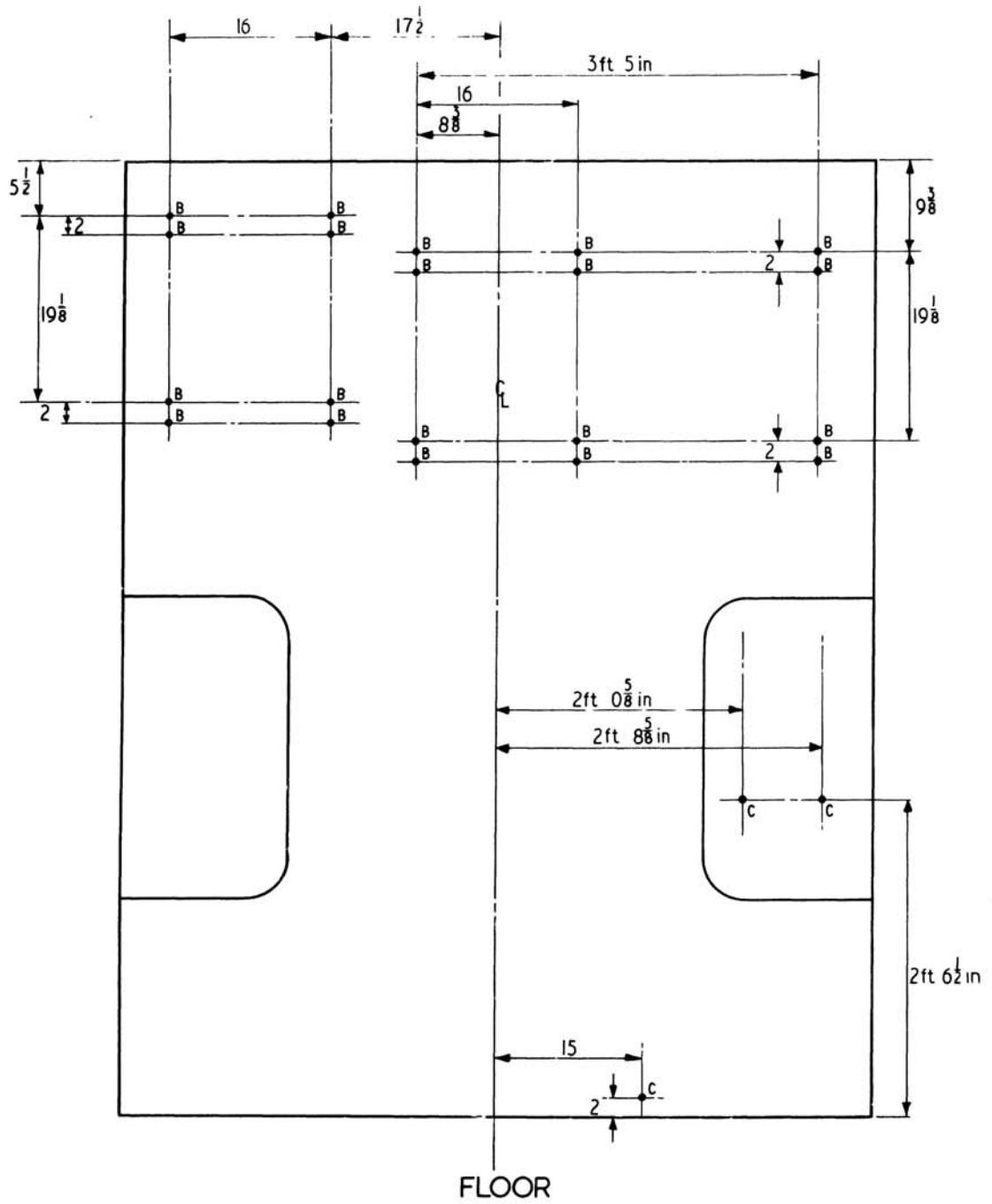


Fig 17 - Unit interconnection diagram

**This Page Intentionally Blank**



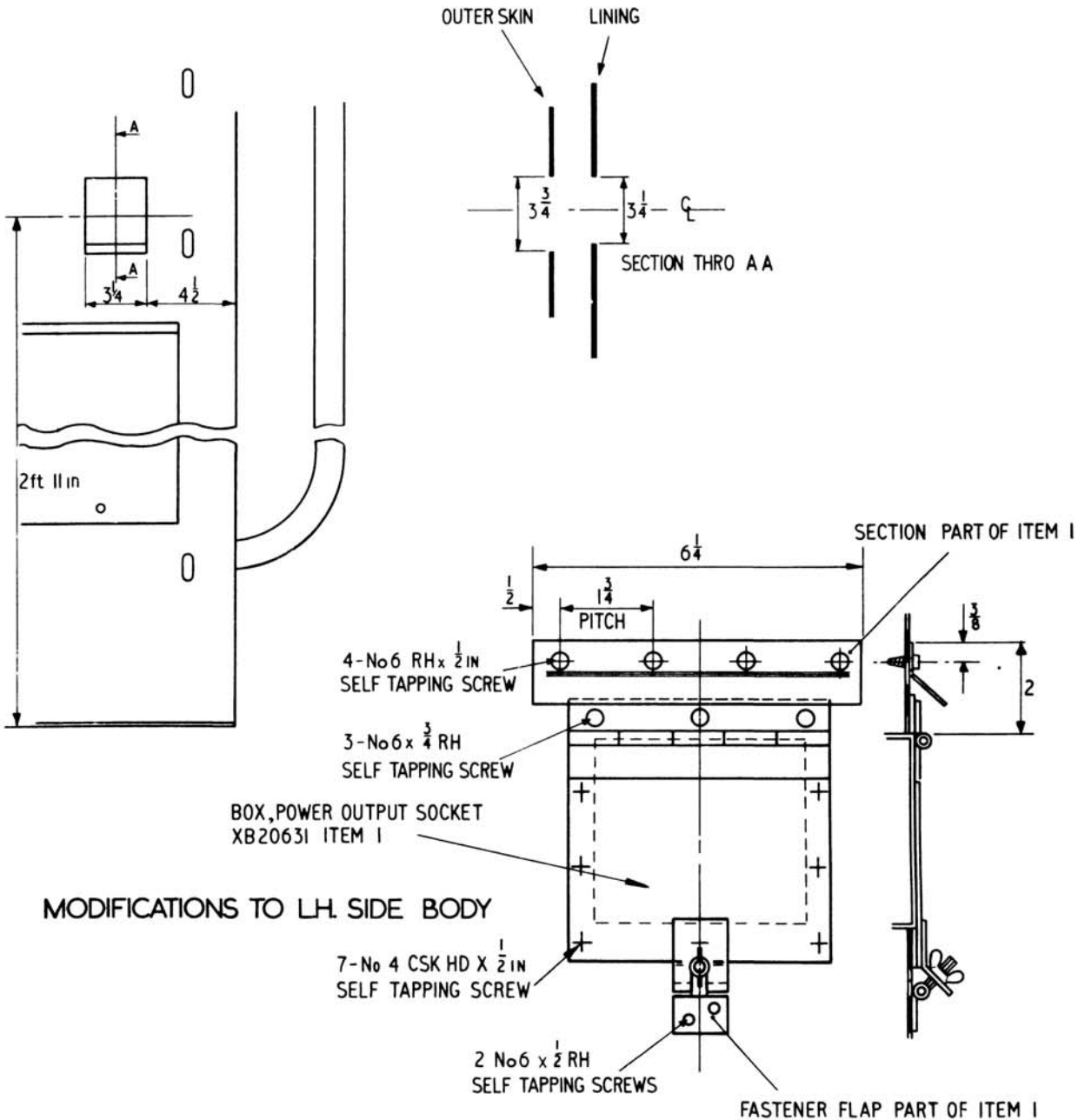
AT B - 20 HOLES DRILL  $\frac{7}{16}$   
AT C - 3 HOLES DRILL  $\frac{9}{32}$

C  $\frac{Q11511}{1-6}$  1381/6

Fig 6 - Modification to floor and 1

**This Page Intentionally Blank**

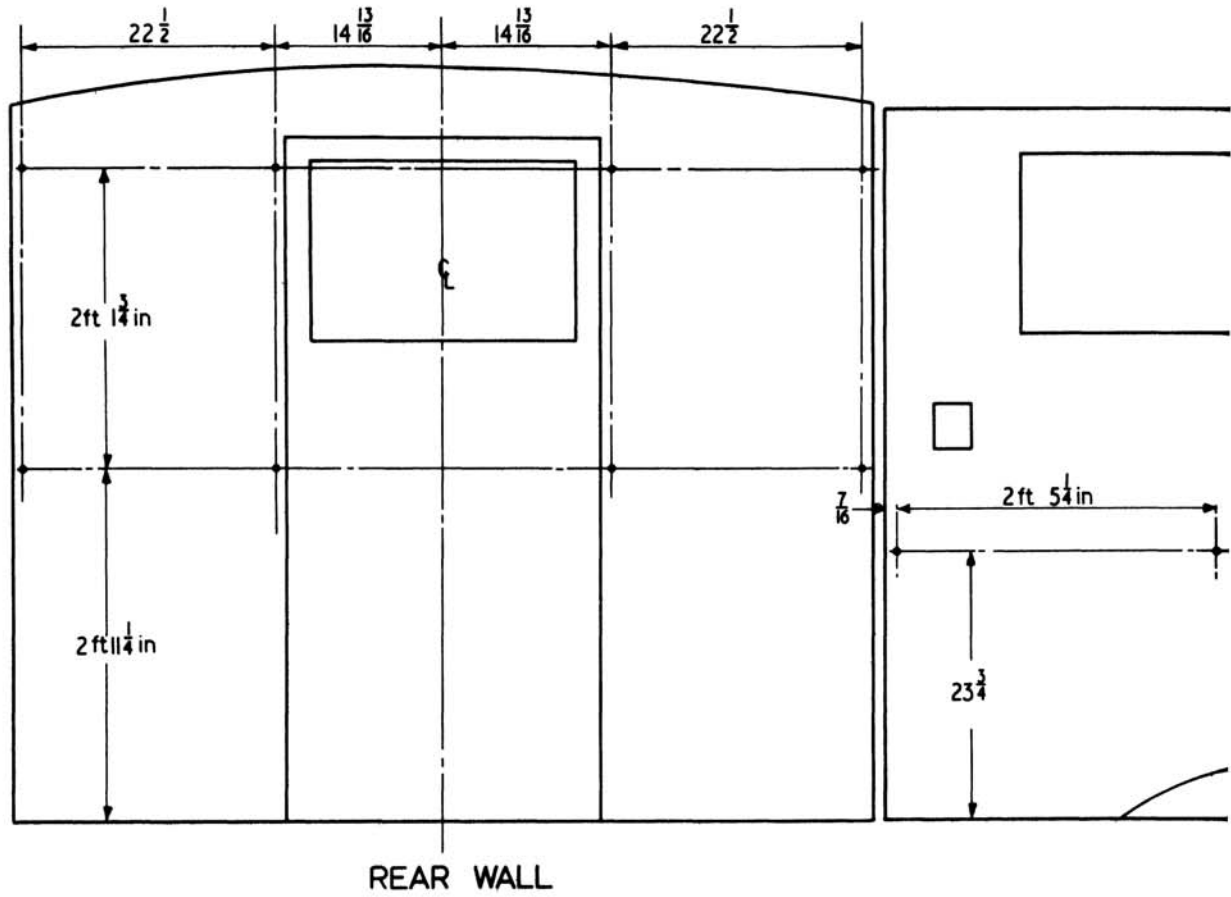




ALL DIMENSIONS IN INCHES

c floor and l.h. side of body

**This Page Intentionally Blank**



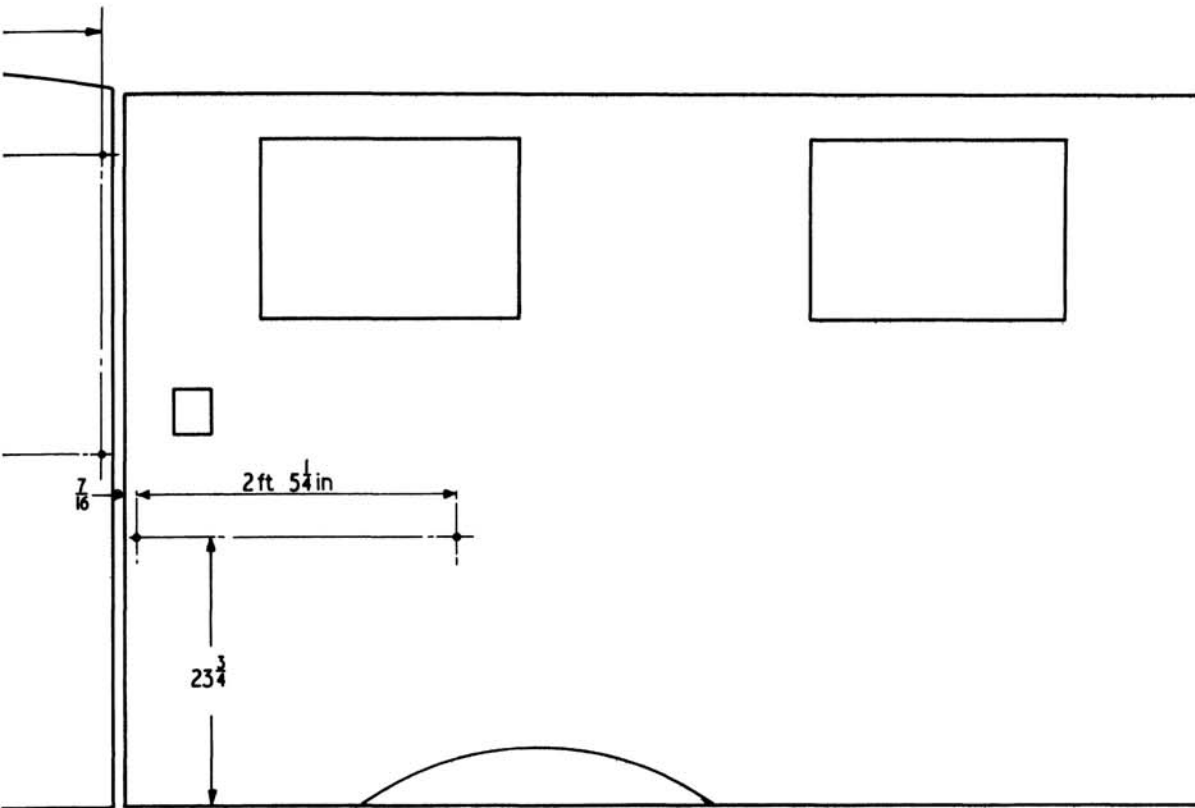
DRILL 10 HOLES  $1\frac{1}{32}$  DIA

**C** Q115II  
1-7a 1381/7

DRG. NO WAS 7700 &  
(AMENDED MAR. 62.)

Fig 7a - Drilling details l.h. wall, rear b

**This Page Intentionally Blank**

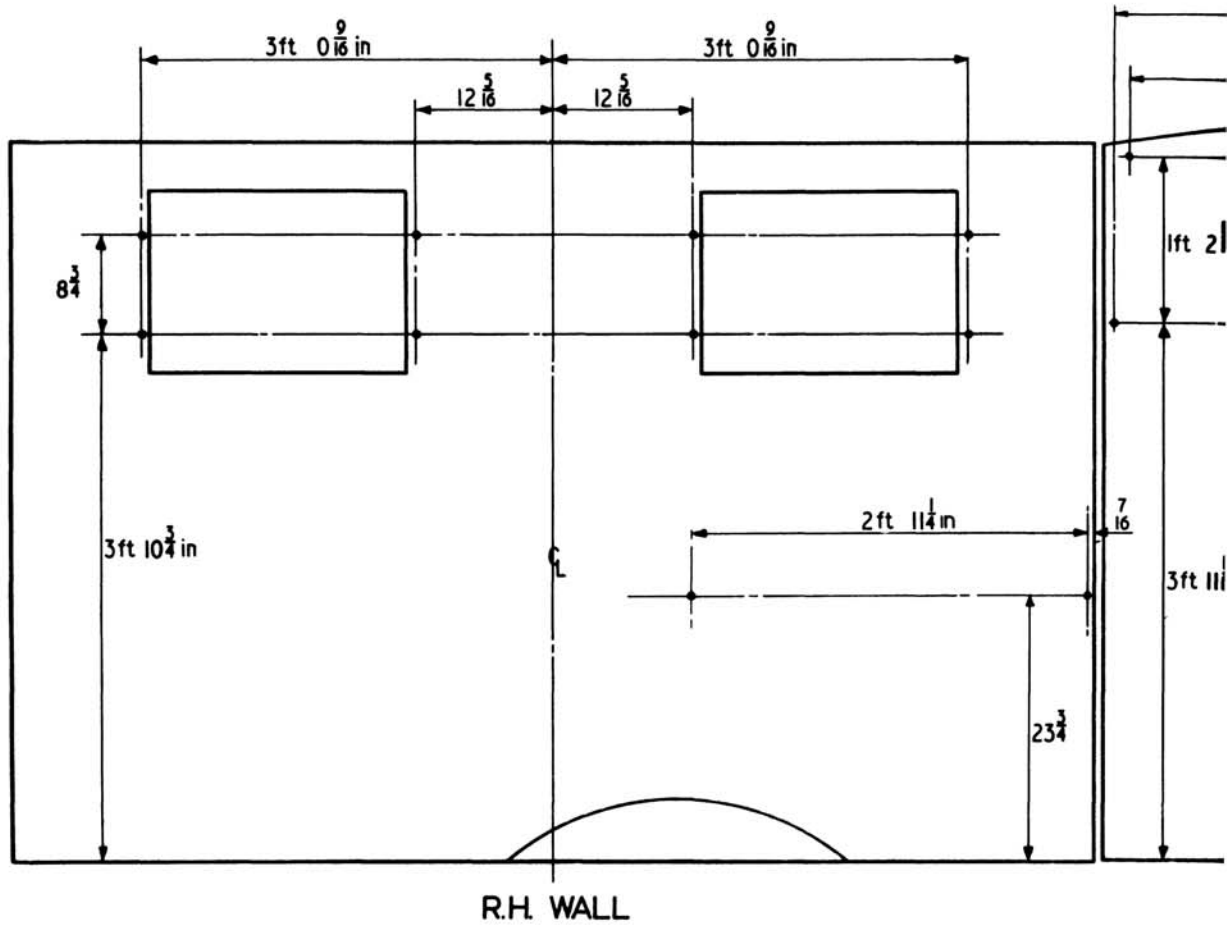


L.H. WALL

ALL DIMENSIONS IN INCHES

DRG. NO. WAS 7700 G.  
(AMENDED MAR. 62.)

**This Page Intentionally Blank**



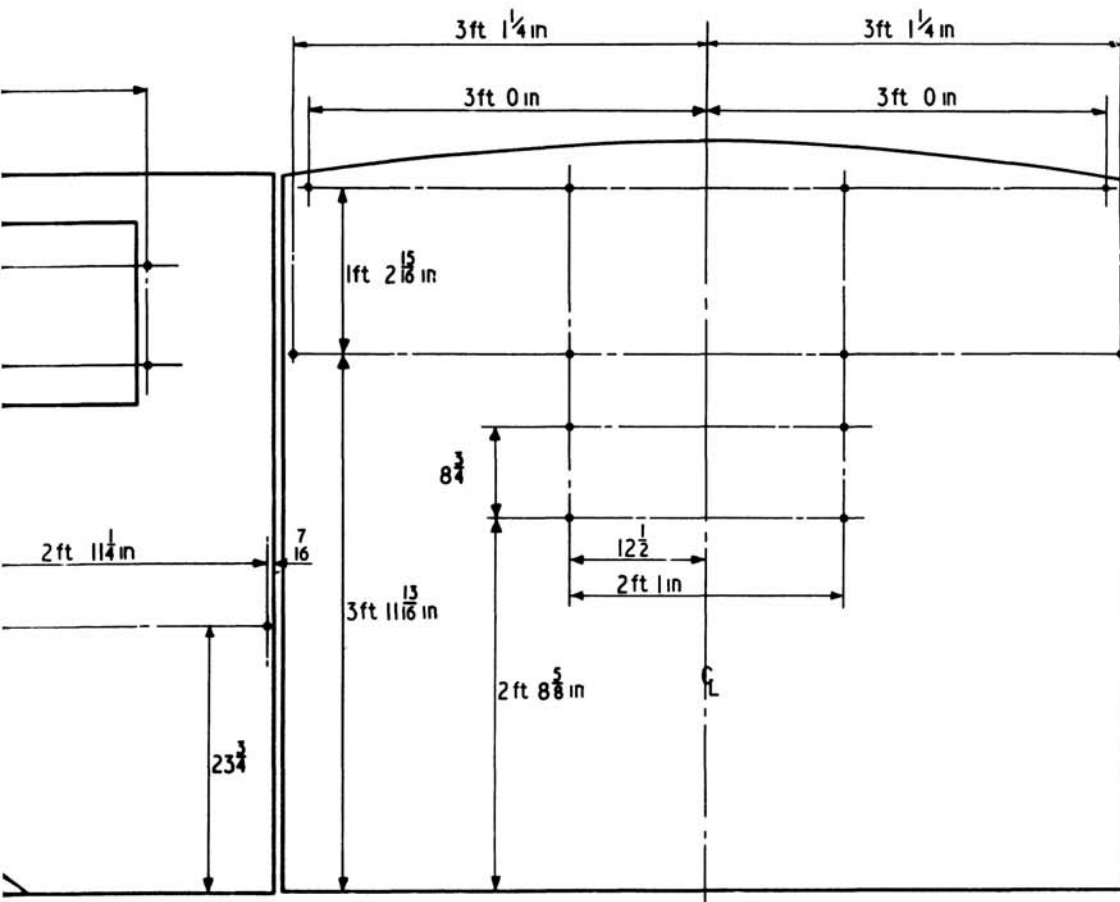
DRILL 22 HOLES <sup>1</sup>/<sub>32</sub> DIA

C <sup>Q11511</sup>/<sub>1-7b</sub> 1381/21

Fig 7b - Drilling details r.h. wall, from

**This Page Intentionally Blank**



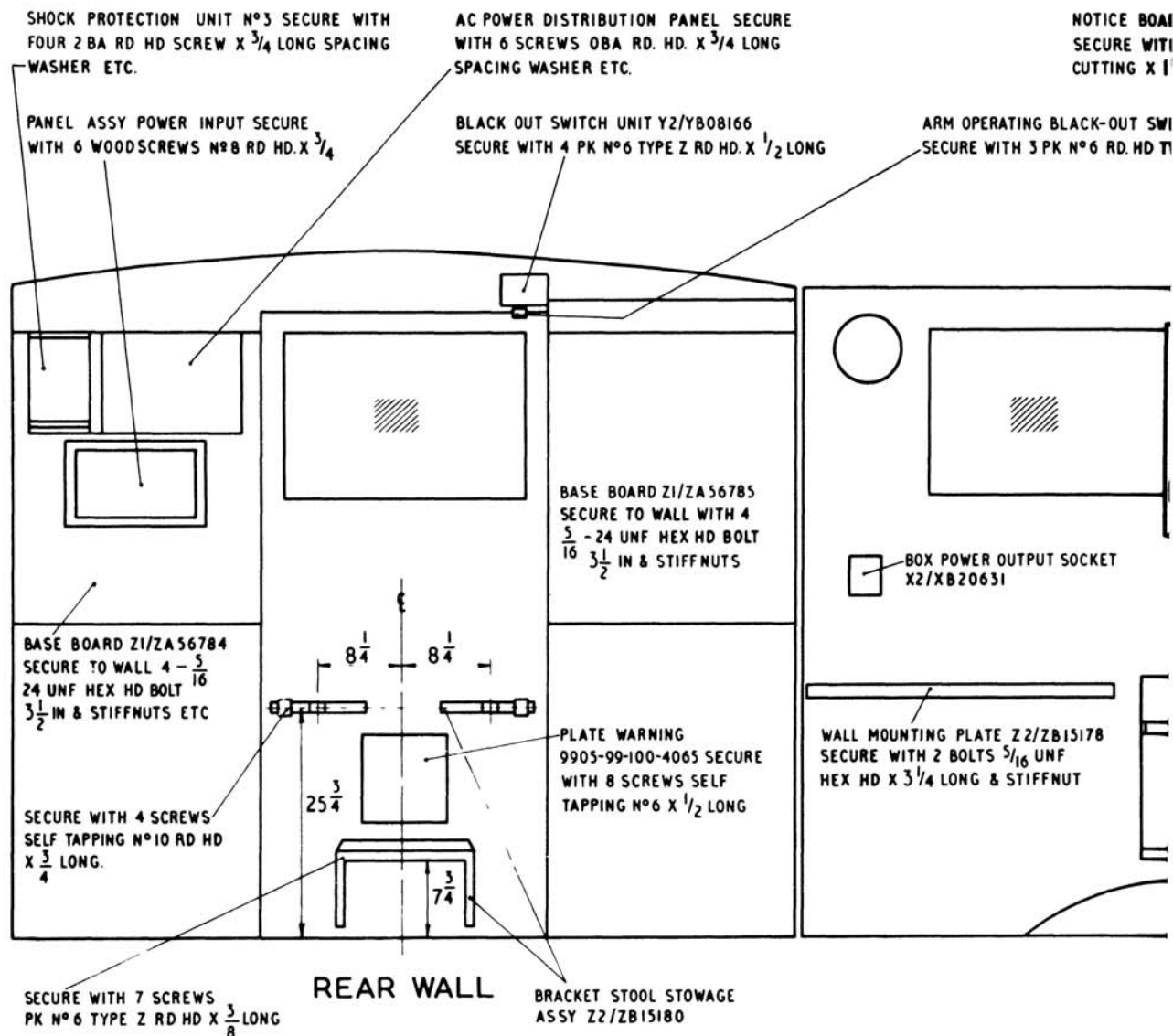


FRONT WALL

ALL DIMENSIONS IN INCHES

Fig details r.h. wall, front bulkhead

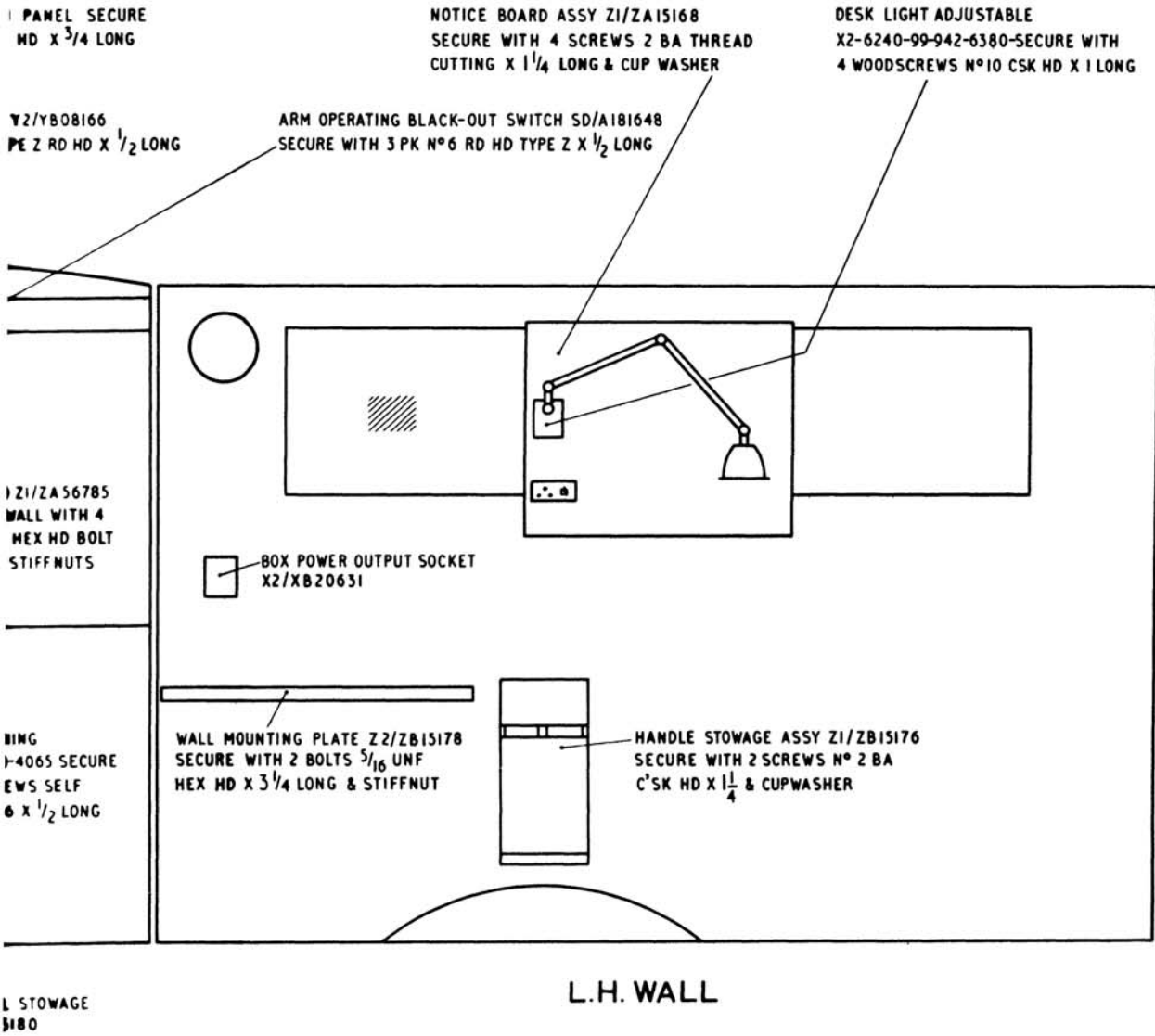
**This Page Intentionally Blank**



C Q11511  
 1-11a 1581/11

Fig 11a - Installation kit assembly details l.h. wall, r

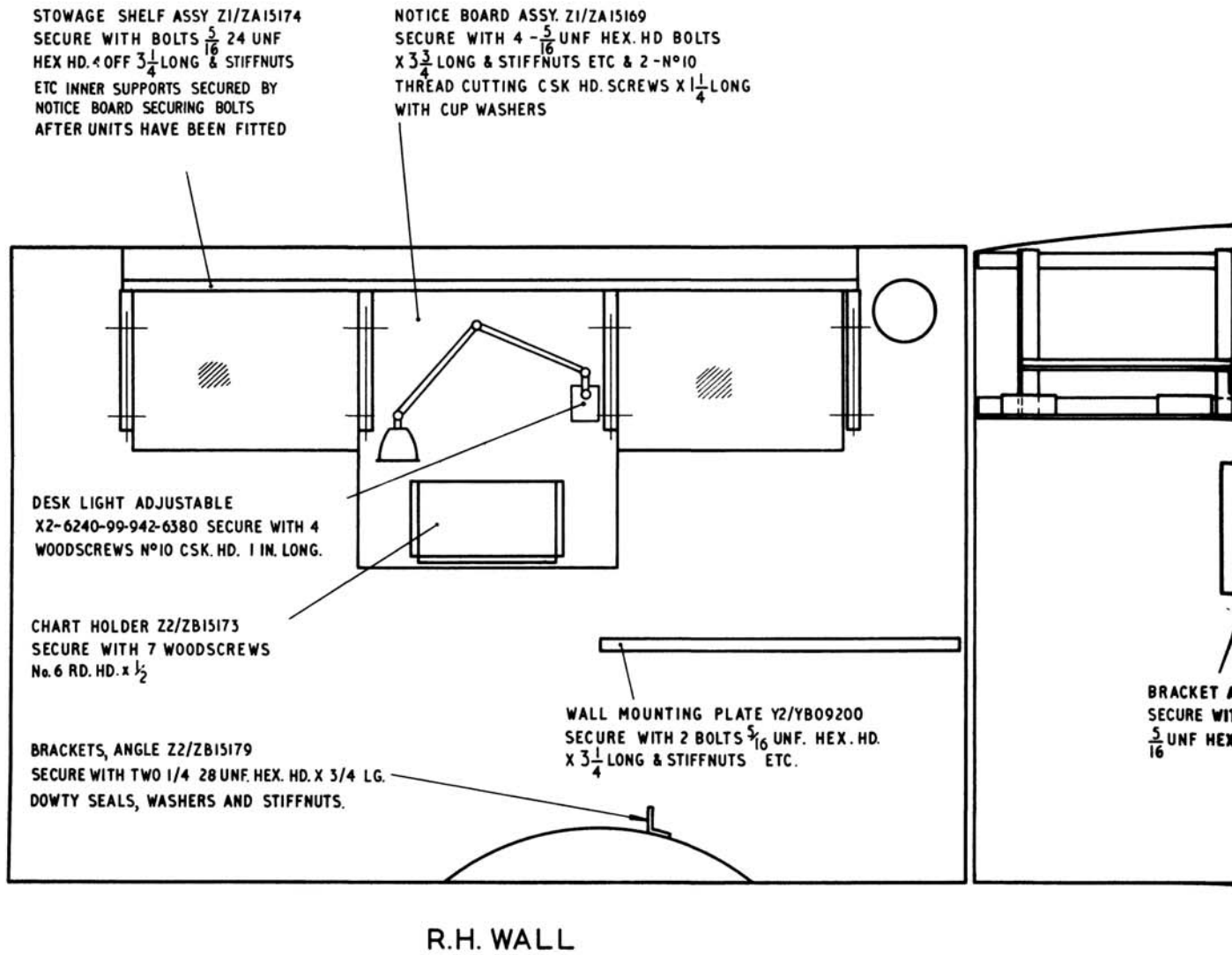
**This Page Intentionally Blank**



ALL DIMENSIONS IN INCHES

Kit assembly details l.h. wall, rear bulkhead

**This Page Intentionally Blank**



C Q11511  
1-11b 1381/19

Fig 11b - Installation kit assembly details r.h. wall, front

**This Page Intentionally Blank**



S  
LONG

MOUNTING ASSY Z1/ZA56789  
SECURE WITH 8 -  $\frac{5}{16}$  UNF  
HEX HD. BOLT X  $3\frac{1}{4}$  LONG  
STIFFNUTS ETC

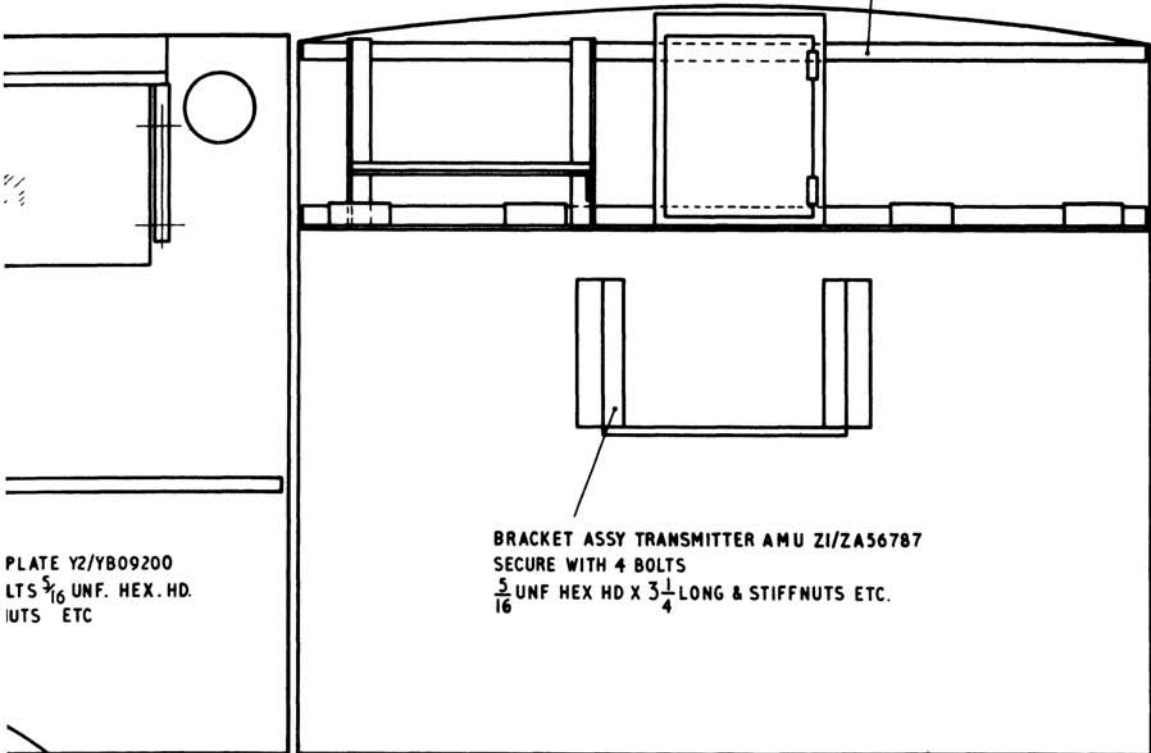


PLATE Y2/YB09200  
LTS  $\frac{3}{16}$  UNF. HEX. HD.  
NUTS ETC

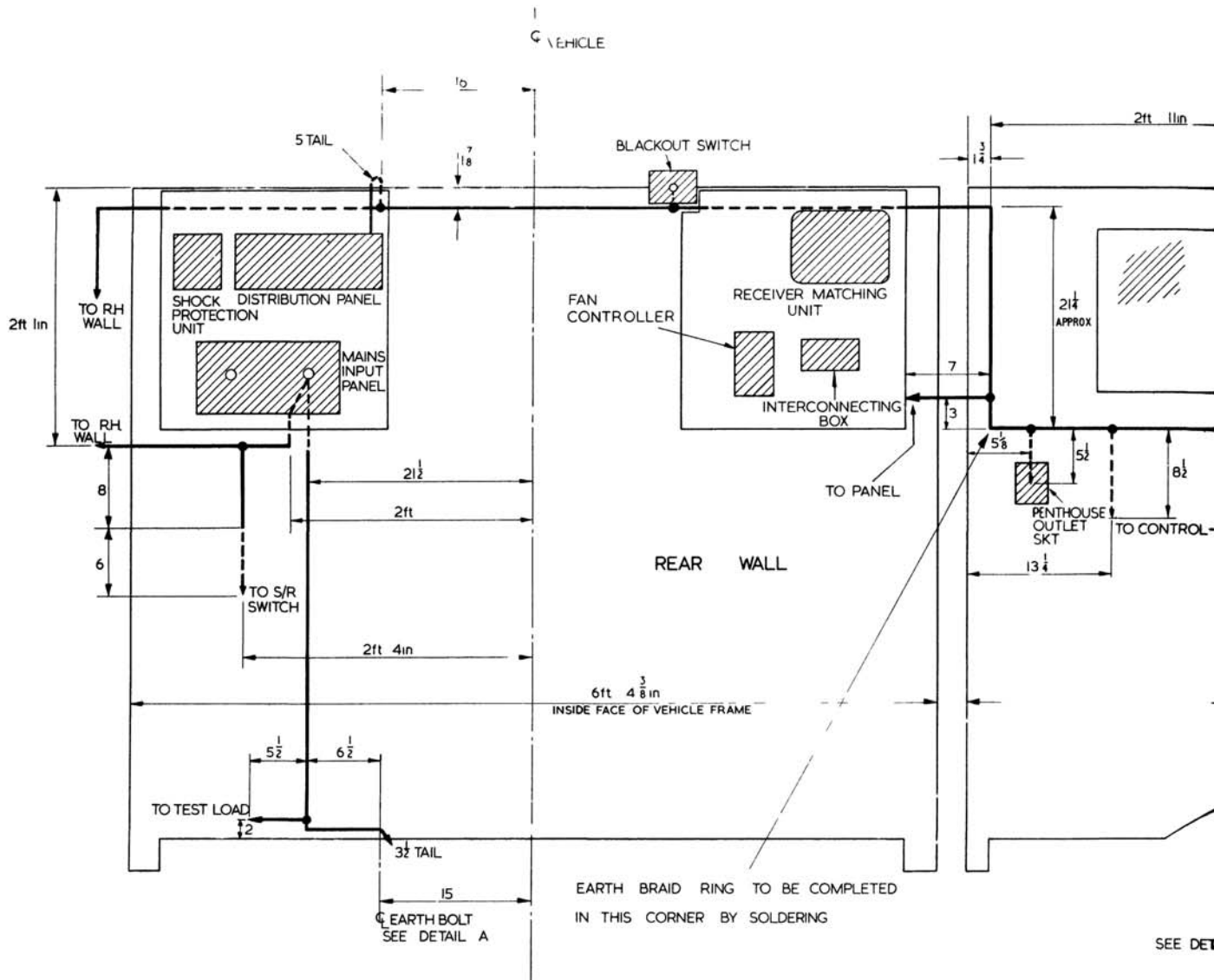
BRACKET ASSY TRANSMITTER AMU Z1/ZA56787  
SECURE WITH 4 BOLTS  
 $\frac{5}{16}$  UNF HEX HD X  $3\frac{1}{4}$  LONG & STIFFNUTS ETC.

FRONT WALL

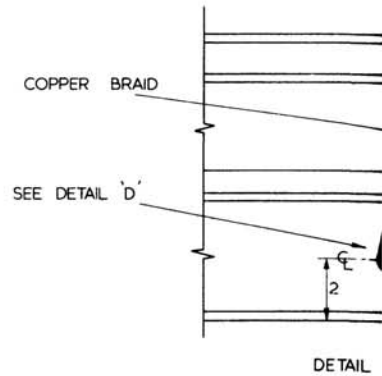
ALL DIMENSIONS IN INCHES.

kit assembly details r.h. wall, front bulkhead

**This Page Intentionally Blank**



ITEM	DESCRIPTION	No OFF
1	COPPER BRAID 1/2 WIDE	80 FT
2	SEAL BONDED DOWTY TYPE GP 45-5	1
3	SCREW SELF TAPPING No 4 RD HD 3/8 LONG	12 DOZ
4	STUD BRASS 1/4 UNF 2 1/2 LONG	1
5	BOLT BRASS 1/4 UNF 1 1/4 LONG	1
6	HALF NUT BRASS 1/4 UNF	8
7	WASHER PLAIN 6 BA	12 DOZ
8	WASHER PLAIN BRASS 1/4 ID	6



C Q11511  
 1-12a  
 1381/12

Fig 12a - Earthing braid installation

**This Page Intentionally Blank**

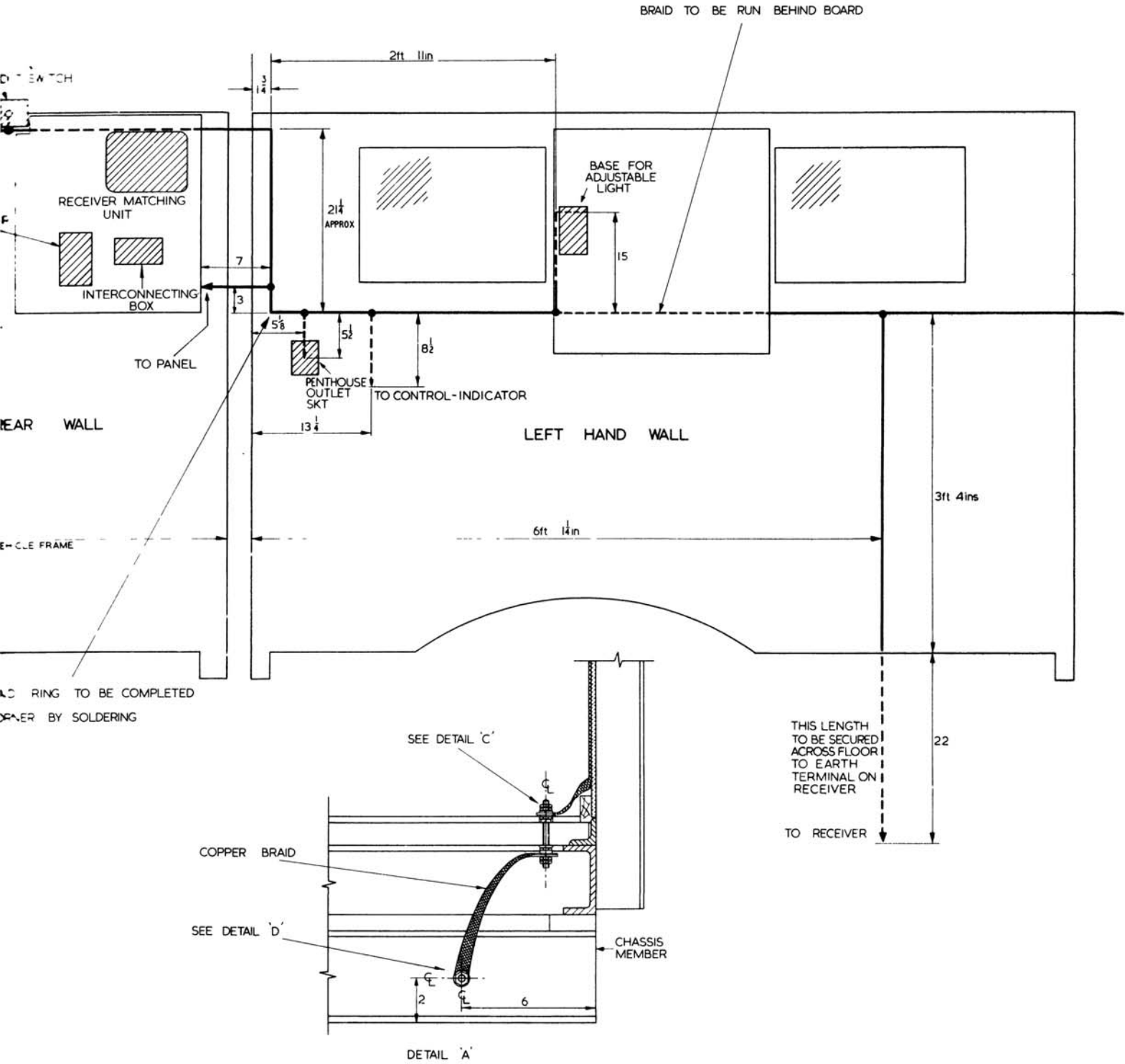
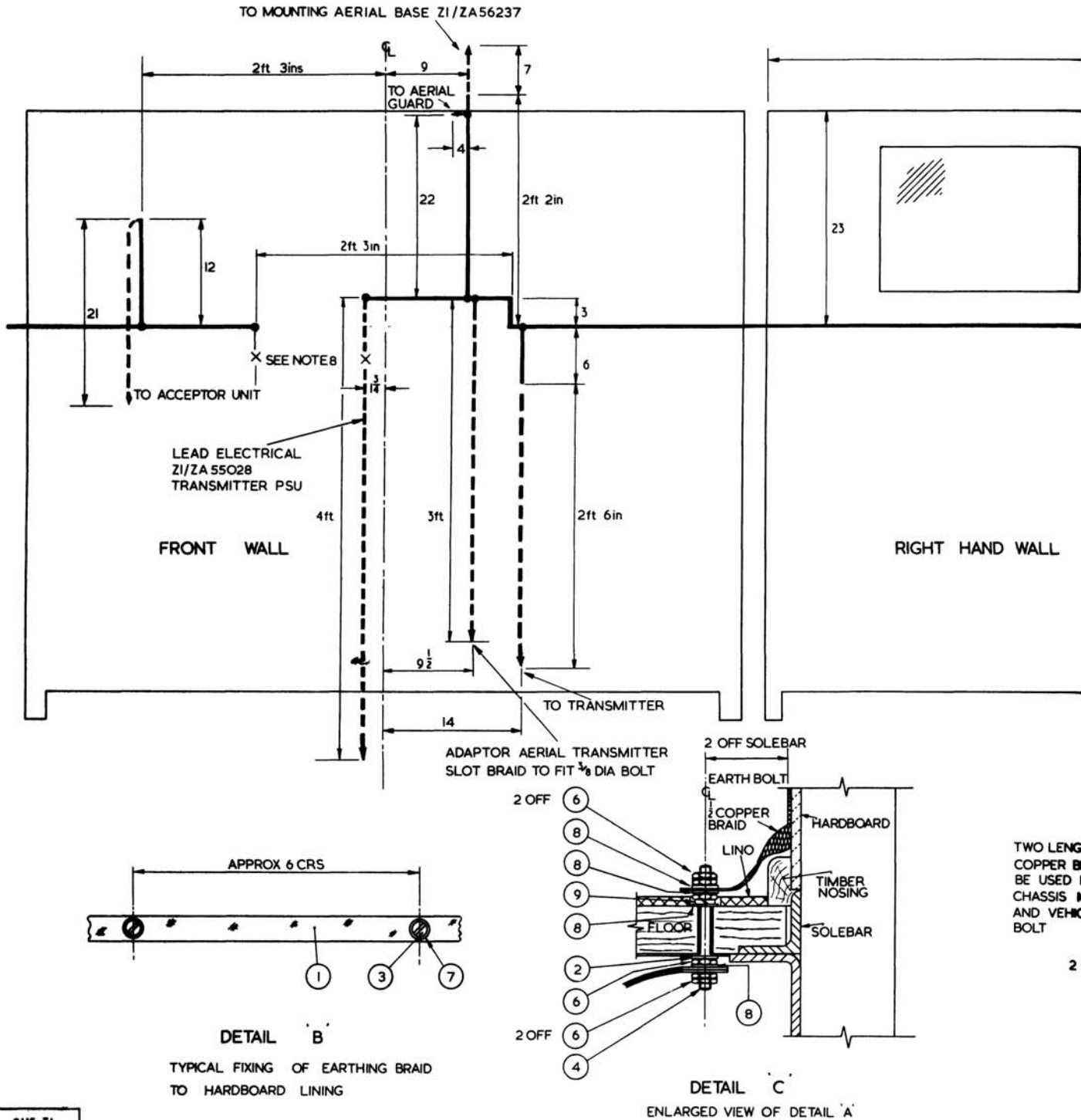


Fig 12a - Earthing braid installation

**This Page Intentionally Blank**

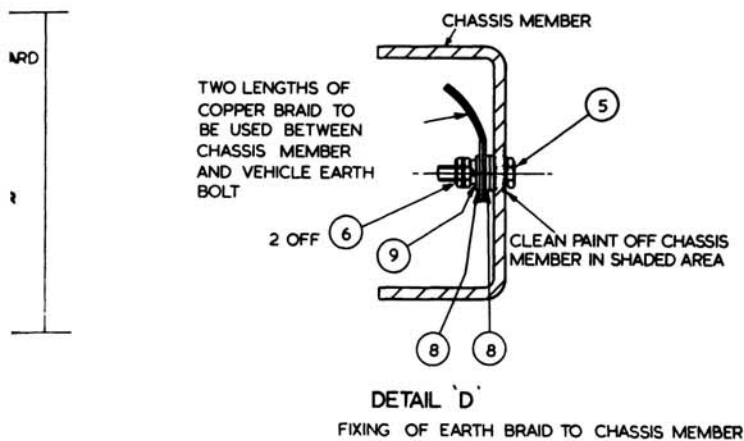
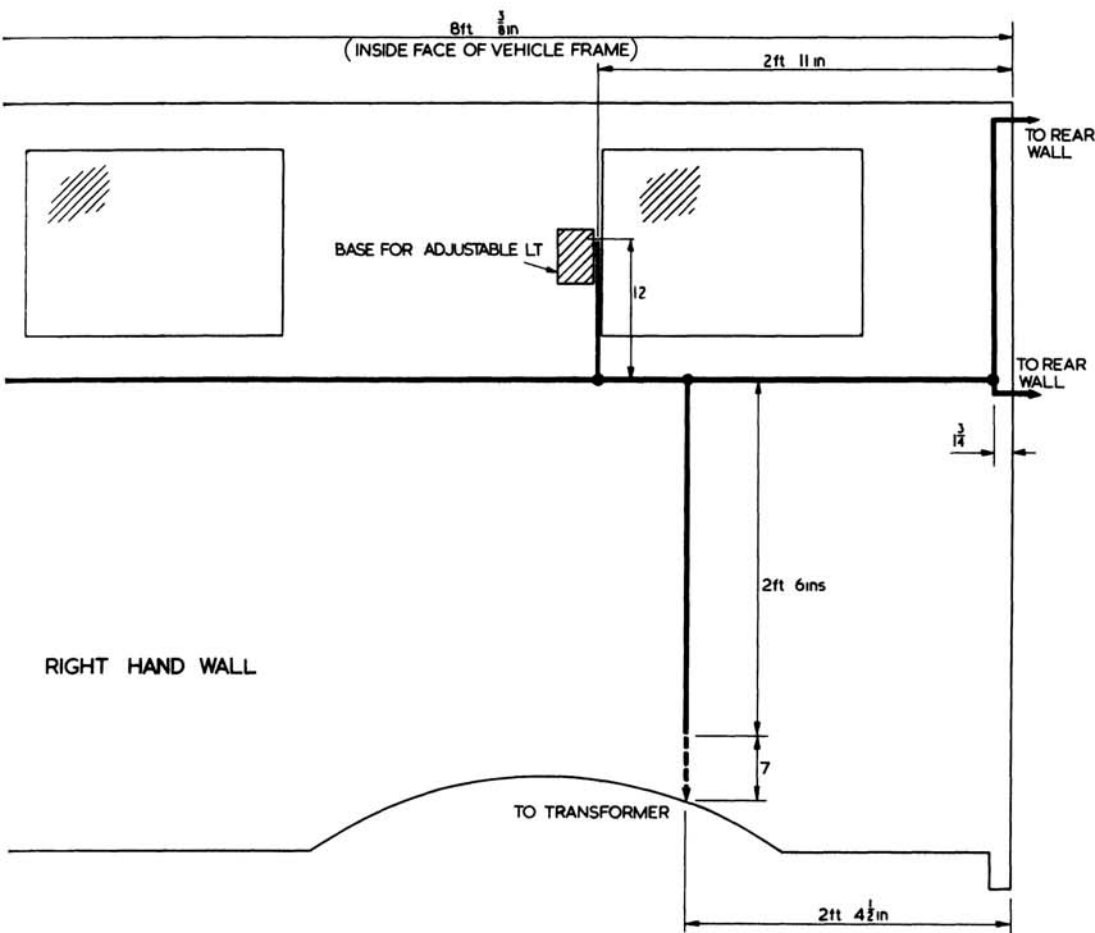


C 0115 I1  
1 - 12b 1300/20

Fig 12b - Earthing braid installation

**This Page Intentionally Blank**





- 1 COPPER BRAID SHOWN AS THICK FULL LINE TAILS TO BE LEFT FREE
- 2 COPPER BRAID TO BE FIXED TO HARDBOARD WALLS AT JUNCTIONS FIXING TO BE PLACED CENTRALLY THROUGH JOINT AND THEN AT APPROX 6IN INTERVALS EXCEPT WHERE BRAID CHANGES DIRECTION AT THESE POSITIONS FIXING TO BE CLOSED UP EITHER SIDE OF CHANGE
- 3 ENDS OF COPPER BRAID TAILS TO BE DIPPED IN SOLDER FOR A DISTANCE OF 1IN AND FLATTENED WITH TONGS UNTIL SET  $\frac{3}{8}$  DIA. HOLES TO BE DRILLED CENTRALLY IN THESE ENDS AFTER DIPPING
- 4 WHERE JUNCTIONS OF BRAID ARE FORMED, BRAID TO BE INTERLACED BEFORE SOLDERING AND FLATTENING WITH TONGS
- 5 ALL DIMENSIONS ARE BASED ON VEHICLE FRAME OR CENTRE LINE
- 6 WHERE COPPER BRAID PASSES UNDER WINDOWS CARE TO BE TAKEN THAT FIXINGS DO NOT FOUL BLACK-OUT SCREEN INCORPORATED IN WINDOW UNIT
- 7 OUTSIDE OF VEHICLE - AERIAL BASE PLATE ON ROOF TO BE BONDED TO VEHICLE BY COPPER BRAID USING A FIXING BOLT OF BASE METAL  $\text{No} \cdot \text{C1}$  AFTER CLEANING OFF PAINT AROUND BOLT
- 8 GAP TO BE LEFT IN EARTH LOOP AT X-X ON FRONT BULKHEAD
- 9 ALL DIMENSIONS ARE IN INCHES

**This Page Intentionally Blank**

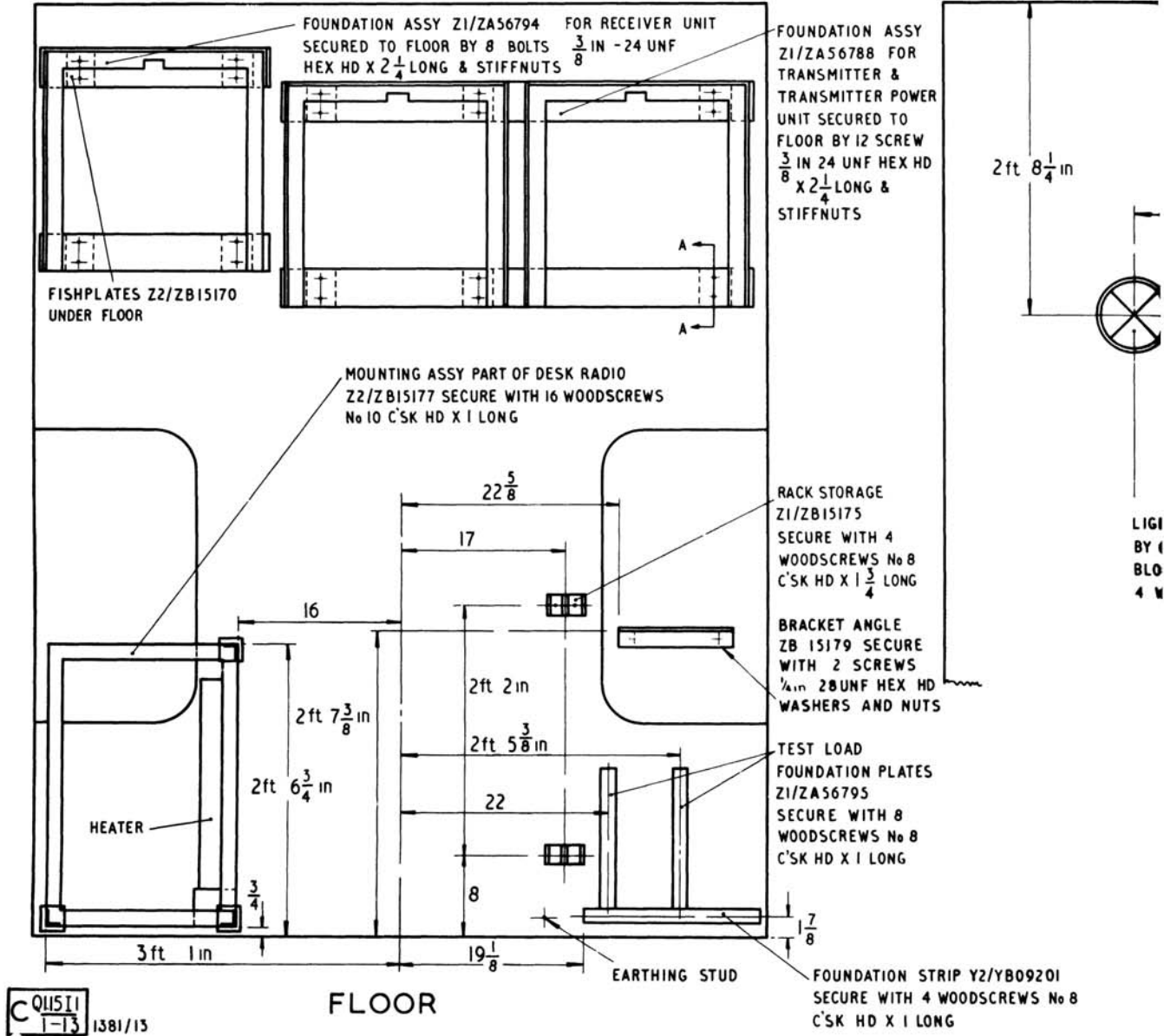
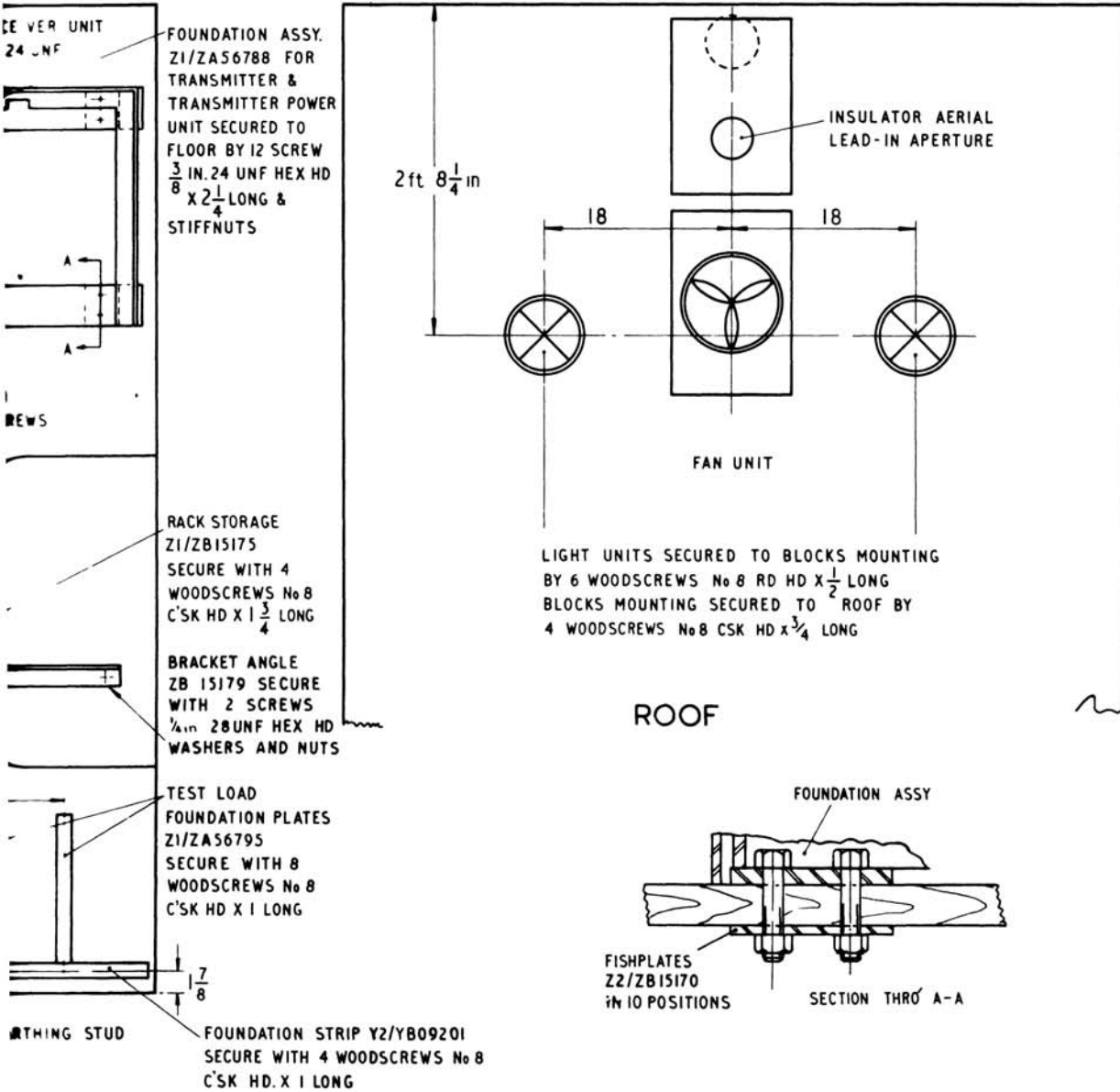


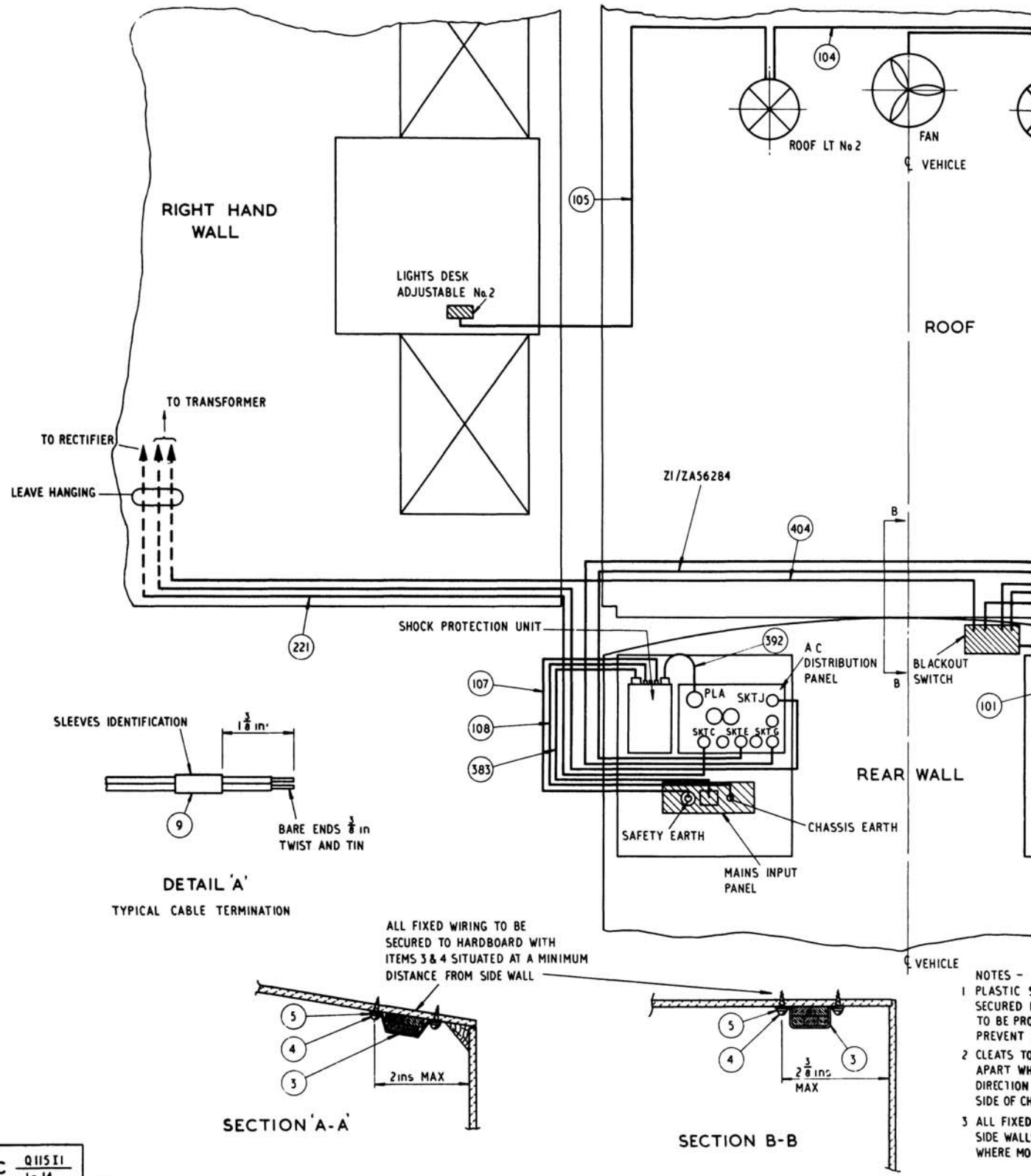
Fig 13 - Installation kit assembly details, floor

**This Page Intentionally Blank**



Installation kit assembly details, floor and roof

**This Page Intentionally Blank**



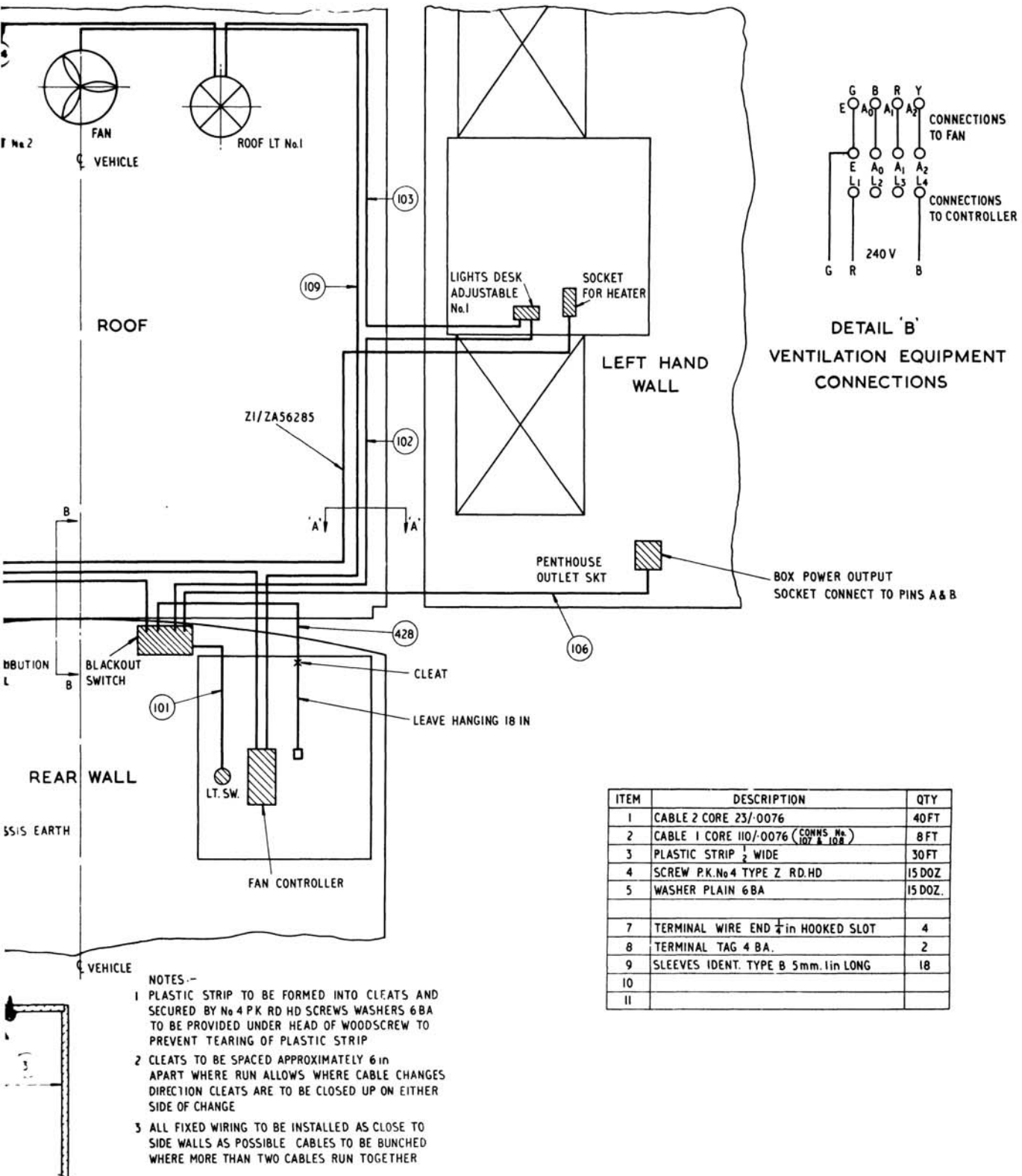
- NOTES -
- 1 PLASTIC S...
  - SECURED B...
  - TO BE PROM...
  - PREVENT T...
  - 2 CLEATS TO...
  - APART WH...
  - DIRECTION...
  - SIDE OF CH...
  - 3 ALL FIXED...
  - SIDE WALLS...
  - WHERE MON...

C Q11511  
1-14 1381/14

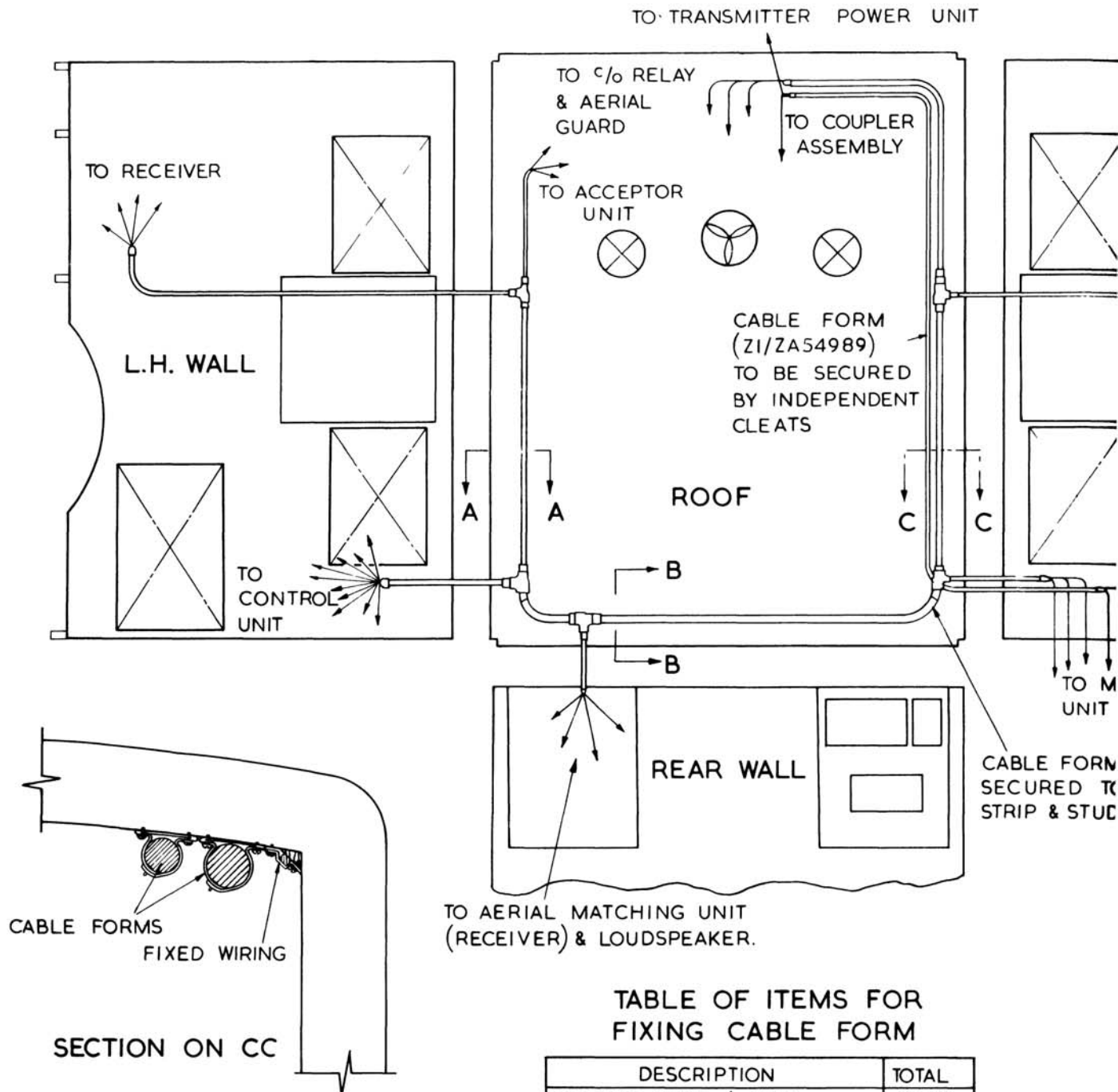
Fig 14 - Lighting and heating - fi

**This Page Intentionally Blank**





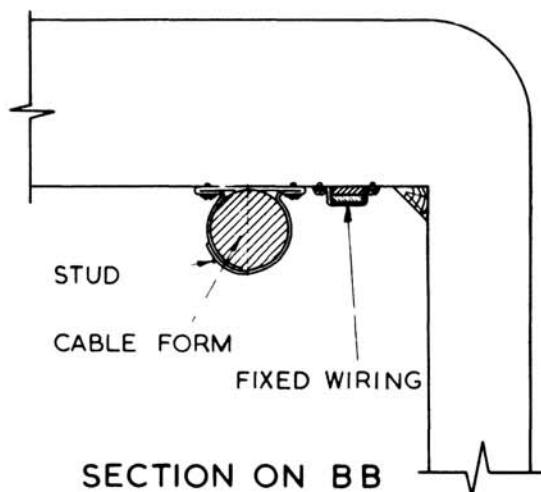
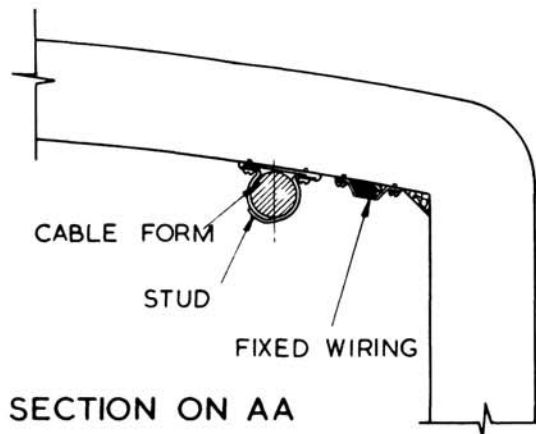
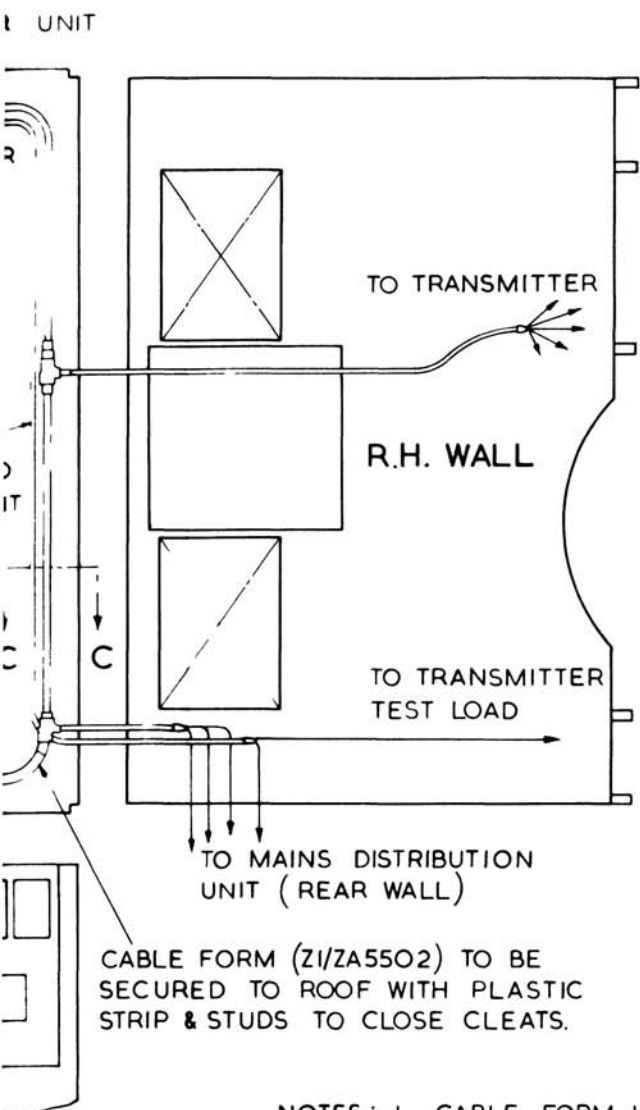
**This Page Intentionally Blank**



Q11511  
C 1-16 1381/16

Fig 16 - Main cableform installation

**This Page Intentionally Blank**

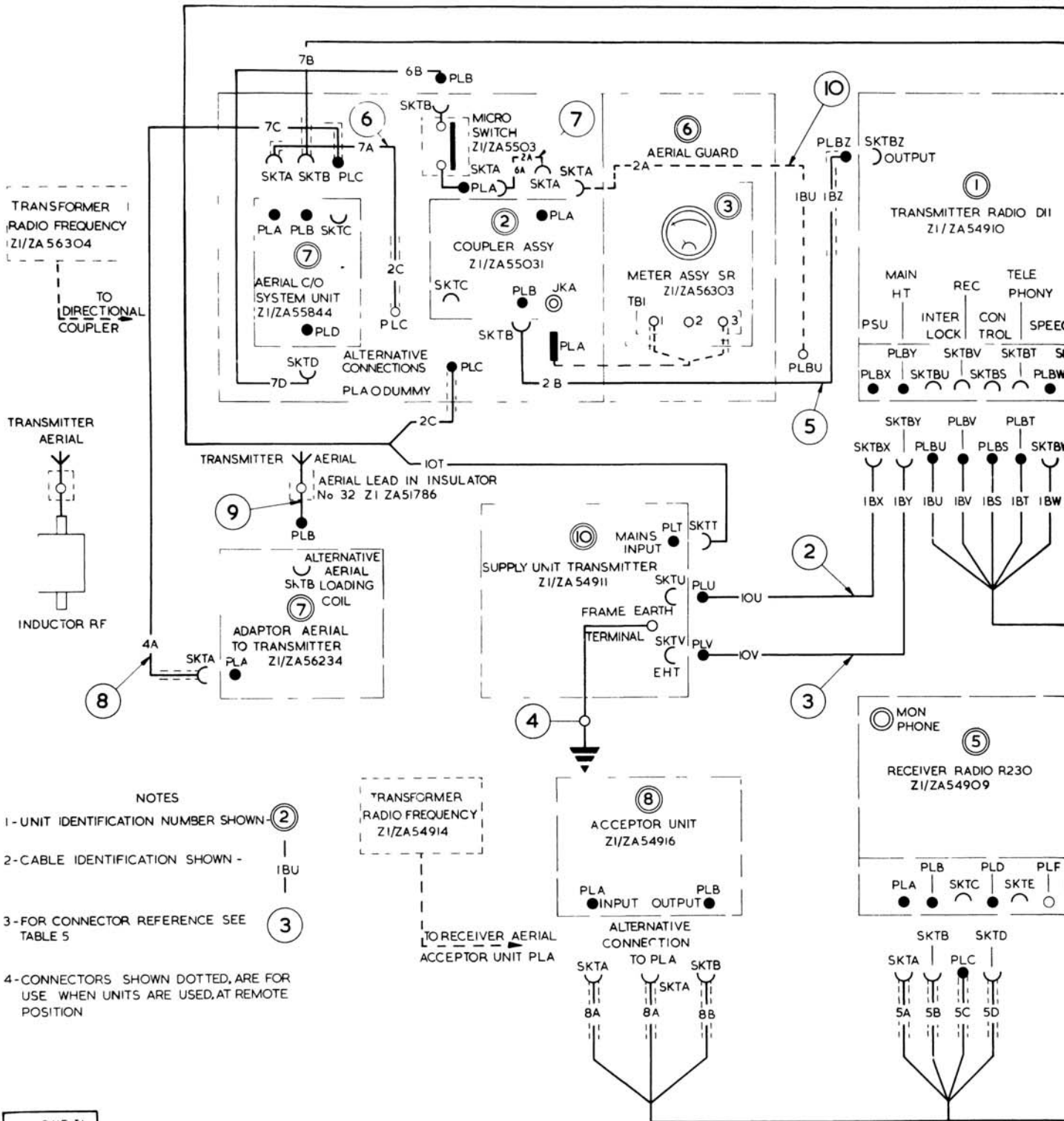


- NOTES :-1 CABLE FORM IS SHOWN IN CLOSE PROXIMITY TO ITS FINAL POSITION WHEN INSTALLED.
- 2 PLASTIC STRIP TO BE FORMED INTO CLEATS & SECURED BY No4 PK. RD HEAD SCREWS WASHERS (6BA) TO BE PROVIDED UNDER HEAD OF PK. SCREW TO PREVENT TEARING OF PLASTIC STRIP.
  - 3 ALL CLEATS TO BE FIXED AT 8in CRS APPROXIMATELY & WHERE POSSIBLE LINED UP WITH CLEATS SECURING FIXED WIRING
  - 4 AT TEE CONNECTORS FIXING CLEATS TO BE SITED ON EACH LEG OF TEE & AS CLOSE TO TEE AS POSSIBLE.
  - 5 ALL FIXING STUDS TO BE EASILY ACCESSIBLE & POSITIONED ON SIDE OF CABLE-FORM FURTHEST FROM VEHICLE WALL

R
M
TOTAL
50 ft
3 DOZ
3 DOZ
00

ccableform installation detail

**This Page Intentionally Blank**



- NOTES
- 1- UNIT IDENTIFICATION NUMBER SHOWN - (1)
  - 2- CABLE IDENTIFICATION SHOWN - IBU
  - 3- FOR CONNECTOR REFERENCE SEE TABLE 5 (3)
  - 4- CONNECTORS SHOWN DOTTED, ARE FOR USE WHEN UNITS ARE USED, AT REMOTE POSITION

C Q115 II  
1-17 1581/17

Fig 17 - Unit interconnection d

**This Page Intentionally Blank**





**This Page Intentionally Blank**